

SINCE 1889



AUTO PURE WATER PURIFIER WH201 SERIES

MODEL

WH201P High Purity Deionization System
WH201C High Capacity Deionization System

INSTRUCTION MANUAL

- FIRST EDITION -

- Thank you for purchasing WH Series Auto Pure Water Purifier of Yamato Scientific.
- To use this unit properly, read this "Instruction Manual" thoroughly before using this unit. Keep this instruction manual around this unit for referencing at any time.

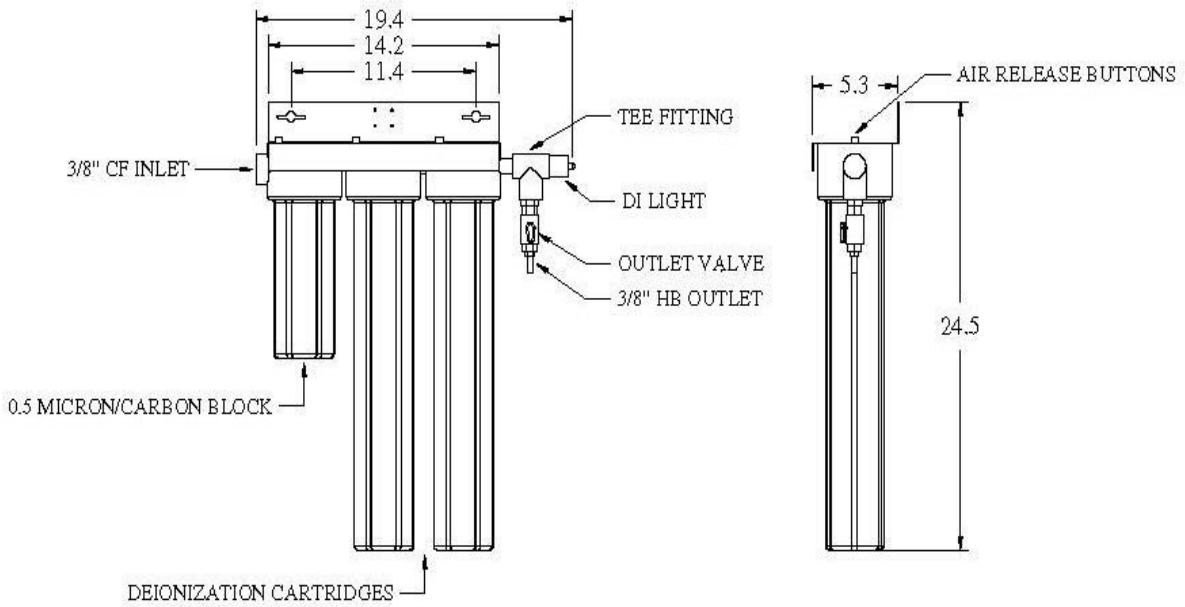
⚠ **WARNING:** Carefully read and thoroughly understand the important warning items described in this manual before using this unit.

Yamato Scientific America Inc.
Santa Clara, CA

TECHNICAL SPECIFICATIONS

	WH201P	WH201C
Pressure range	10-100 psi	10-100 psi
Temperature range	40 - 100 °F	40 - 100 °F
Maximum flowrate	0.5 gallons per minute	0.5 gallons per minute
Resistivity output	200 KOhm to 10 MegOhm	50 KOhm to 200 KOhm
Resistivity DI light set point	200 KOhm	20 KOhm
Voltage	120V	120V

SYSTEM DIMENSIONS



OPERATIONAL PROCEDURE

INSTALLATION – USE GOOD PLUMBING PRACTICES

1. Install system on a wall that will support 45 lbs. within 5 feet of a water supply.
2. Connection to water supply should include a shut off valve before the WH201 system.
3. Use your choice of inlet fitting provided with the system to connect the 3/8" black tubing to the water supply valve. Cut the tubing to the length needed and insert the other end of the tubing into the black INLET compression fitting. Tighten the fitting.
4. Install quality monitor in horizontal end of gray tee fitting.
5. Install the outlet assembly to the vertical end of the tee. This fitting should have several wraps of white Teflon tape.
6. Attach the clear vinyl tubing to the system OUTLET hose barb. NOTE: Clear vinyl tubing is rated for low pressure applications. If the Water Purifier is plumbed directly into a water system, use outlet tubing that meets expected maximum operating pressures.

START UP

1. Before installing the deionization bed cartridges and carbon cartridge, make sure the sealing gaskets are in place.
2. Remove the blue housing bowls and place the 10" carbon cartridge in the 10" housing. Place the 20" deionization cartridges in the (2) 20" housings.
3. Fasten blue bowls back in place, HAND TIGHT.
4. Plug in the quality monitor. The light will be green.
5. Open the inlet water supply valve to allow water to enter the system.
6. Starting on the left, press each of the red pressure relief buttons at the top of the filter housing to expel trapped air. Release the button once water trickles out. Repeat for housings #2 and #3.
7. Open the system outlet valve and drain approximately 1 gallon of water.
8. At this point, the quality indicator monitor should have a green light indicating the system is ready for use.
9. If the quality indicator light is red, press the red pressure relief button to check that all the air has been purged from the system. Then open the outlet valve and let water run out until the indicator light turns green.

OPERATION

1. Turn off the water feed supply when the system is not in use.
2. When the system is not active, the quality light may turn red. This is normal condition. As you draw water from the system, the light will turn green again.
3. If the light remains red in a flowing condition, this is an indication that the deionization cartridges are exhausted and need to be replaced.
4. NOTE: Feedwater mineral content (total dissolved solids) and chemistry have a direct impact on the life of the cartridge. For TDS above 500 ppm, please contact YSA for additional pretreatment options.

OPERATIONAL PROCEDURE

CARTRIDGE REPLACEMENT

1. Turn off the inlet water feed supply.
2. Depressurize the system by pushing the red pressure relief button on the top of the filter housing
3. Place a container under the filter housing to collect and excess water.
4. Unscrew the filter bowl housing. The included spanner wrench may be needed.
5. Remove the old cartridges and discard
6. Inspect the o-rings and add lubrication if needed.
7. Install the cartridges per the START UP procedure

REPLACEMENT PARTS

For WH201P

ARI-HYK001	Cartridge Kit, High Purity Deionization System (2-1/2" Diameter) <i>includes 10-inch Carbon Prefilter & (2) 20-inch High Capacity DI cartridges</i>
------------	--

For WH201C

ARI-HYK009	Cartridge Kit, High Capacity Deionization System (2-1/2" Diameter) <i>includes 10-inch Carbon Prefilter & (2) 20-inch High Capacity DI cartridges</i>
------------	--

TROUBLESHOOTING

Problem	Cause	Solution
DI light red	No flow	During a non-flow condition, the DI light may turn from green to red. Verify that flow is going across the DI light sensor.
	Air trapped	Make sure sensor is installed in horizontal run of Tee fitting. Ensure system has been properly vented per instructions.
	Exhausted cartridges	Replace cartridges as described in earlier section.
	High flowrate	Reduce the flowrate to the specified range. Higher flowrates will diminish the performance of the deionization resins.
	Cartridge improperly installed	Make sure all old cartridge gaskets are removed. The primary sealing surface is on the top gasket. Improper installation will cause bypass and compromise water quality.
Short Cartridge Life	High mineral feed	Check feedwater supply to determine total dissolved solids (TDS) level. Elevated levels due to changes in supply or seasonal changes may reduce cartridge life. Contact YSA for other pretreatment options.

AFTER SERVICE AND WARRANTY

WARRANTY POLICY

Yamato Scientific America warrants, from the date of shipment from warehouse in Camden, New Jersey, U.S.A., for a period of one (1) year. All products, parts and materials shall be free of defects in material and workmanship under normal use consistent with the product instructions. This product warranty does not apply to products purchased from unauthorized resellers/distributors.

Yamato reserves the right to inspect the product under claim before having an obligation to repair or replace the defective unit covered by this warranty. All costs of shipping to Yamato for inspection shall be borne solely by the purchaser. Products repaired or replaced under the terms of the warranty may be refurbished or new product will be provided at the discretion of Yamato.

Warranty Conditions

This warranty does not apply to equipment or parts which fail because of abuse, accident, alteration, misuse, erosion, improper installation, or improper replacement of a repaired item.

The buyer assumes all risks for results obtained from these products, whether used alone or in combination with other items. It is expressly understood that we are not responsible and will not be held liable for damage and/or injury caused using our products.

Product Return Policy

If you are not satisfied with your purchase and wish to make a return, contact our customer service to inquire about a Return of Merchandise Authorization Number (RMA). Merchandise returned without an RMA number will not be accepted and will be returned to the sender. Return requests must be made within 15 days of the customer's receipt of the merchandise.

All returns must be unused and in unopened original packaging and include all items and manuals originally shipped.

AFTER SERVICE AND WARRANTY

WARRANTY POLICY CONTINUED

The purchaser is responsible for the shipping cost of return shipment. Insurance on the return shipment is required. Damage or loss of merchandise during shipping is the responsibility of the sender. Returned shipments that arrive damaged will be returned to the sender, and credit will not be rendered.

All returned products, parts and materials are subject to a 25% restocking fee. Shipping and handling cost are non-refundable. All retrofitted, customized, and special order item sales are final and non-returnable.

In Case of Request for Repair

If the failure occurs, stop the operation, turn OFF the power switch, and unplug the power plug. Please contact the sales agency that this unit was purchased, or Yamato Scientific's sales office.

< Check following items before contact >

- ◆ Model Name of Product
- ◆ Serial Number
- ◆ Purchase Date
- ◆ Issue (as detailed as possible)

Responsibility

Please follow instructions in this document when using this unit. Yamato Scientific has no responsibility for accidents or breakdown of device due to failure to comply. Never conduct what this document forbids as unexpected accidents or breakdown may result.

Yamato Scientific America Inc.

925 Walsh Ave, Santa Clara, CA 95050

Tel: 1-800-292-6286 / 408-235-7725

<http://www.yamato-usa.com>

For customer service:

Email: customerservice@yamato-usa.com

For technical support:

Email: technical@yamato-usa.com

Yamato Auto Pure Purification System is manufactured by **Aries Filterworks, Inc.** Aries Filterworks® is a registered trademark of ResinTech, Inc. Camden, NJ USA.