

Oil-Sealed Rotary Vacuum Pump



GLD-137CC/202BB



GLD Series, Direct Drive Oil-Sealed

■ Features

- GLD series features high performance, low vibration and noise and several functions such as gas ballast valve, oil-back-flow prevention mechanism, and large sized oil level gauge. This series equips multi-voltage motor and correspondent to international standard

■ Applications

- Chemical, science experiment, analyzer and laser system
- Backing pumps for electronic microscope
- Semiconductor equipment, sputtering equipment, vacuum evaporation equipment
- Vacuum dryer, freeze dryer
- Db noise level 57 db(A) or less

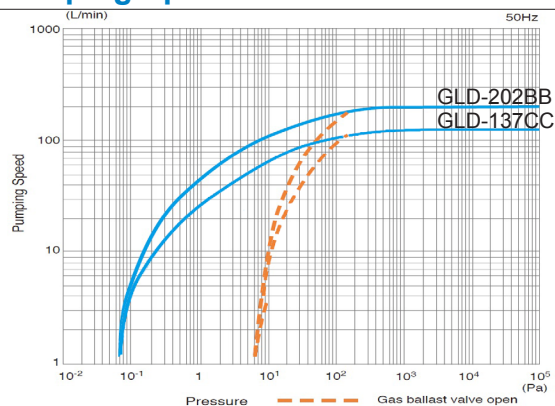
■ Specifications

Model		GLD-137CC for ADP and SDP300/310 Series		GLD-202BB for DP and SDP400/410/610 Series	
		Unit	50Hz	60Hz	50Hz
Actual pumping speed	L/min	135	162	200	240
	m ³ /h	8.1	9.72	12.00	14.40
	CFM	4.77	5.72	7.06	8.47
Ultimate pressure	Pa	G.V. Closed : 0.67 G.V. Open : 6.7		G.V. Closed : 0.67 G.V. Open : 6.7	
	Torr	G.V. Closed : 5.0×10^{-3} G.V. Open : 0.05		G.V. Closed : 5.0×10^{-3} G.V. Open : 0.05	
	mbar	G.V. Closed : 6.7×10^{-3} G.V. Open : 0.07		G.V. Closed : 6.7×10^{-3} G.V. Open : 0.07	
Motor		Single phase, 400W, 4P, Multiple-range motor Capacitor start & run, 100–120V/200–240V		Single phase, 550W, 4P, Multiple-range motor Capacitor start & run, 100–120V/200–240V	
Full load current	A	6.8 (100-120V) 3.5 (200-240V)	5.8 (100-120V) 2.9 (200-240V)	8.2 (100-120V) 4.1 (200-240V)	7.9 (100-120V) 3.9 (200-240V)
Oil capacity	mL	1000		1100	
Recommended oil		SMR-100		SMR-100	
Weight	kg	27.0		29.0	
Inlet port diameter	mm	KF-25		KF-25	
Ambient temperature	°C	7-40		7-40	
	°F	44.6 – 104		44.6 – 104	
Overall dimensions	mm	170(W) × 488(L) × 250(H)		170(W) × 516(L) × 250(H)	

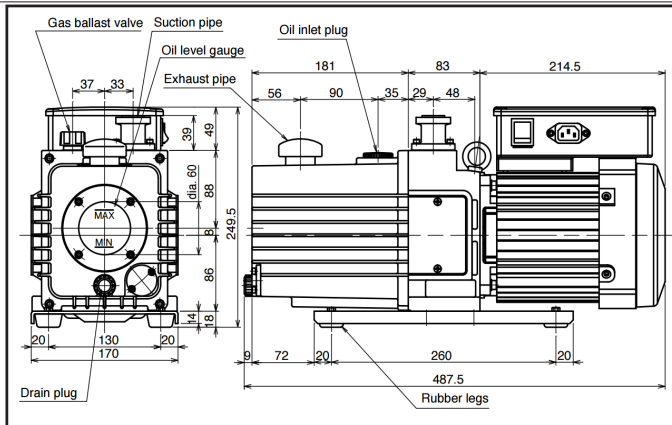
■ Corresponding Voltage and Certificate

Model	Voltage	Applicable Volt	CE Marked	TUV Marked	cTUVus Marked
GLD-137CC	Single phase, 100-120V	Standard	●	●	●
	Single phase, 200-240V	Standard	●	●	●
GLD-202BB	Single phase, 100-120V	Standard	●	●	●
	Single phase, 200-240V	Standard	●	●	●

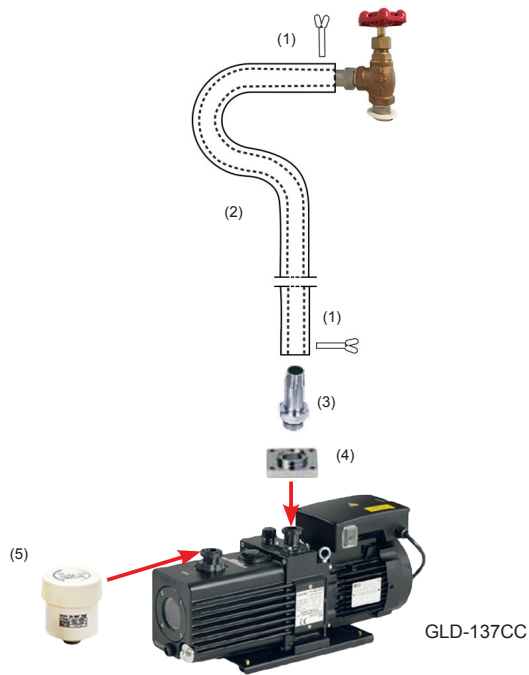
Pumping Speed Curves



GLD-137CC for ADP & SDP Series

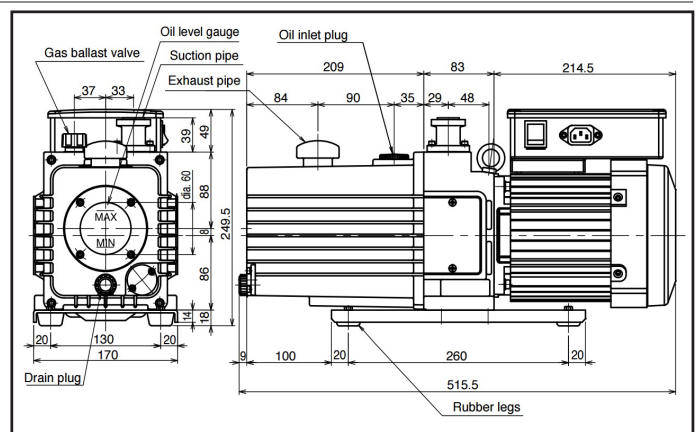


ADP & SDP Series Oven
(Hose Connection)

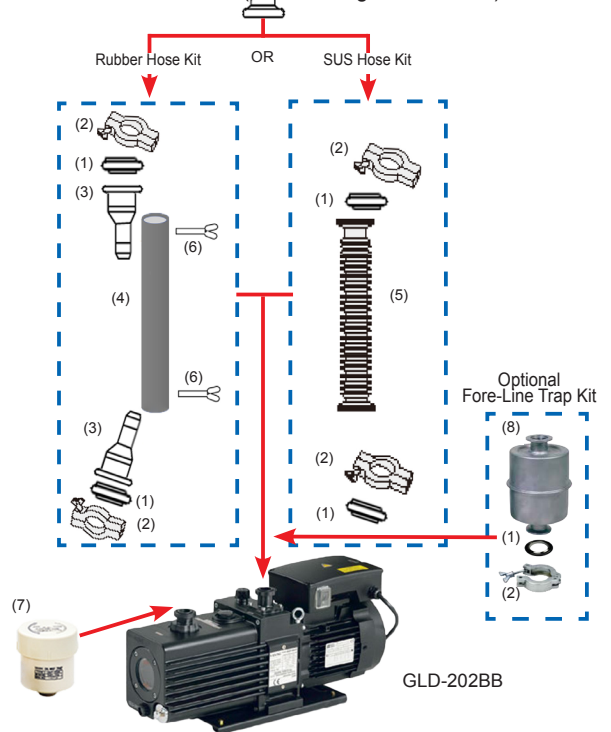


	Description
(1)	Hose Clamp
(2)	Rubber Hose ID: 16mm/1500mm
(3)	Hose Port Type Suction Pipe OD: 18mm x M20
(4)	50mm Square Adapter for Suction Port
(5)	Oil Mist Trap

GLD-202BB for DP & SDP Series



DP & SDP Series Oven (NW25 Flange Connection)



	Description
(1)	NW25 Centering O-Ring
(2)	NW25 Hinged Clamp
(3)	NW25 Hose Nozzle 21mm
(4)	Rubber Hose ID 21mm / 1500mm
(5)	SUS Flexible Hose KF25 x 1500mm
(6)	Hose Clamp
(7)	Oil Mist Trap
(8)	Fore-Line Trap

Description	Product Code	Applicable products	Components
Rotary Vacuum Pump			
GLD137CC with Rubber Hose Kit 115V	GLD137CC115DPRKIT	ADP200C/210C/300C/310C	Vacuum pump, Oil mist trap, Hose clamp, Rubber hose, Suction pipe, Square adapter
GLD137CC with Rubber Hose Kit 220V	GLD137CC220DPRKIT	SDP300/310	Vacuum pump, Oil mist trap, Hose clamp, Rubber hose, Suction pipe, Square adapter
GLD202BB with Rubber Hose Kit 115V*	GLD202BB115DPRKIT	DP43C/63C SDP400/410/610	Vacuum pump, Oil mist trap, Centering o-ring, Hinged clamp, Hose nozzle, Rubber hose, Hose clamp
GLD202BB with SUS Hose Kit 115V*	GLD202BB115DPSKIT		Vacuum pump, Oil mist trap, Centering o-ring, Hinged clamp, Hose nozzle, SUS flexible hose, Hose clamp
GLD202BB with Rubber Hose Kit 220V*	GLD202BB220DPRKIT		Vacuum pump, Oil mist trap, Centering o-ring, Hinged clamp, Hose nozzle, Rubber hose, Hose clamp
GLD202BB with SUS Hose Kit 220V*	GLD202BB220DPSKIT		Vacuum pump, Oil mist trap, Centering o-ring, Hinged clamp, Hose nozzle, SUS flexible hose, Hose clamp

* Optional Fore-Line Trap Kit not included in the kit above.