

# Screw pump VACUU·PURE 10C

[Link to the website](#)

## Product description

The dry screw pump VACUU·PURE® 10C reliably delivers the benefits of oil-free vacuum technology in the pressure range of  $10^{-3}$  mbar. The new vacuum pump combines three important benefits for the user: 100% oil-free, chemically resistant, and no wear parts. VACUU·PURE 10C is ideally suited for clean processes and the production of pure products. The screw pump is especially designed for processes in the vacuum range down to  $10^{-3}$  mbar, however unlike other fine vacuum technologies it can be used across the entire pressure range from atmospheric pressure to its ultimate vacuum. At the same time, aggressive gases and vapors can be pumped without any worries because of the high chemical resistance. The use of a cold trap is no longer necessary in the majority of applications. VACUU·PURE easily handles high vapor loads through its extraordinary condensate compatibility. Thanks to this capability, a gas ballast is unnecessary, avoiding associated disadvantages like the reduction in pumping speed and an increase in noise levels. The integrated regeneration mode enables rapid drying of the pump at the end of the process. This allows sample throughput to be increased significantly as compared to other pump technologies.

## Performance features

- $10^{-3}$  mbar vacuum range
- 100% oil-free
- Chemically resistant
- No wear parts

## Ordering data

Product name	Nominal mains voltage   mains frequency	Plug type	Articleno.
VACUU·PURE 10C	100-230 V   50-60 Hz	CEE	20751000
VACUU·PURE 10C	100-230 V   50-60 Hz	CH	20751001
VACUU·PURE 10C	100-230 V   50-60 Hz	UK	20751002
VACUU·PURE 10C	100-230 V   50-60 Hz	US	20751003
VACUU·PURE 10C	100-230 V   50-60 Hz	CN	20751006
VACUU·PURE 10C	100-230 V   50-60 Hz	IN	20751007

## Items supplied

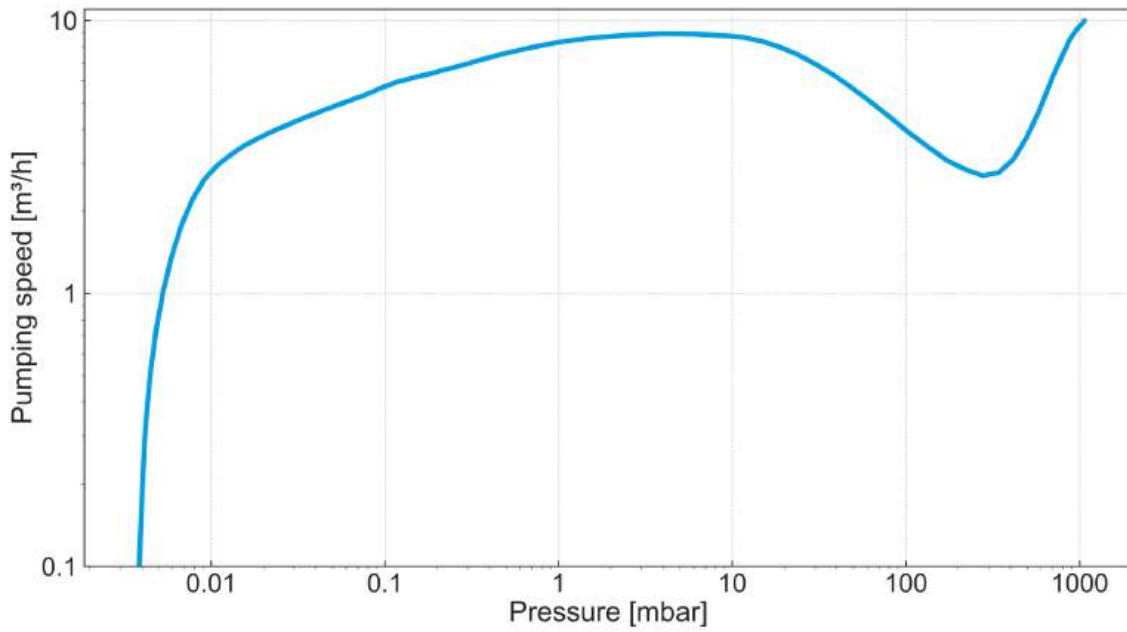
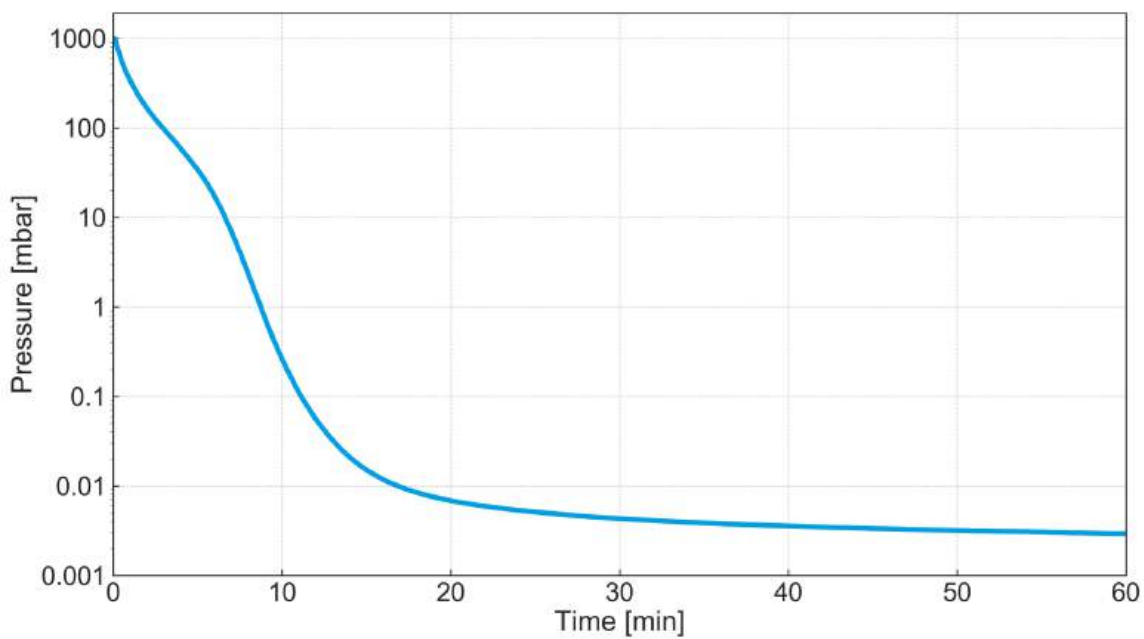
Pump completely mounted, ready for use, connection with small flange KF DN 25 (2x centering and clamping rings included), with manual. To establish a hose nozzle connection, suitable KF flanges with hose nozzle are available for order.

## Accessories

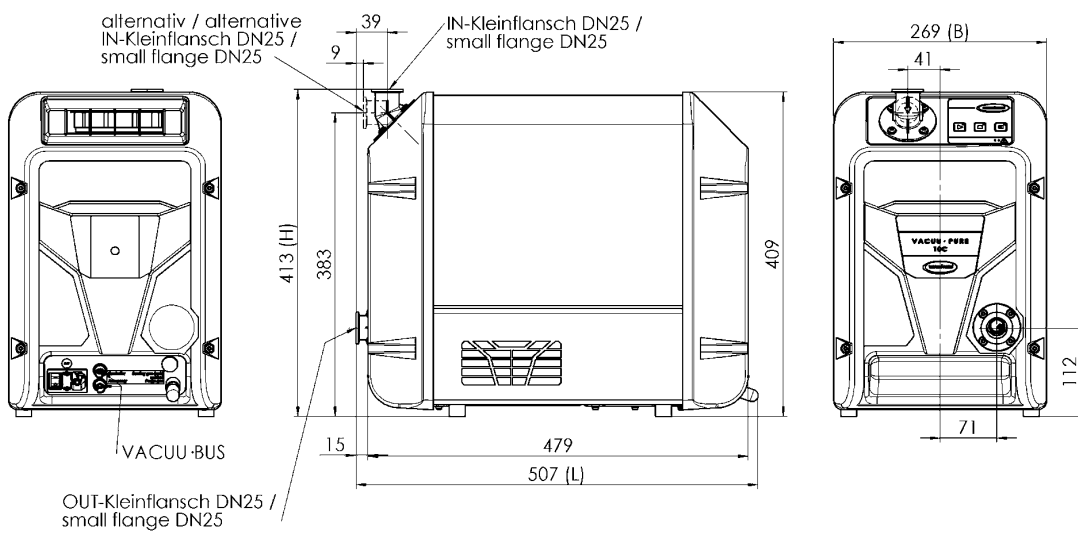
- Set AK + elbow for VACUU·PURE 10C VACUU·PURE AK + Winkel (20751804)
- Inlet separator AK with round bottom flask 500 ml, with connections KF DN 25 and hose nozzle DN 15 mm, Leakage rate  $10^{-4}$  mbar l/s AK 500 / KF DN 25 VACUU·PURE (20751802)
- Base module for chemistry pumping unit (without pump) EK 600 (20751801)
- Mobile underframe VACUU·PURE shuttle (20751800)
- Vacuum tubing PVC with internal stainless steel spiral, with small flanges KF DN 25 (20686021)
- Small flange with hose nozzle KF DN 25 / DN 10 mm (20662807)
- Small flange with hose nozzle KF DN 25 / DN 15 mm (20662808)
- Elbow DN25/SLW19 for VACUU·PURE KF DN 25 / SLW 19 (20751803)
- Digital-I/O-Module VACUU·BUS® VACUU·BUS® (20636228)
- Exhaust hose PVC, 26/19 mm (20686056)
- Communication Kit, USB to VACUU·BUS converter VACUU·BUS® (20683230)

## Technical data

Max. pumping speed 50 Hz (mbar)	9 m <sup>3</sup> /h
Ultimate vacuum	5 x 10 <sup>-3</sup> mbar / 3.8 x 10 <sup>-3</sup> torr
Vacuum controller	without controller
Permissible ambient temperature range (operation)	10 - 40 °C
Permissible ambient temperature range (storage)	-10 - 60 °C
Max. outlet pressure (abs.)	15 mbar above atmospheric pressure bar
Inlet connection	small flange KF DN 25
Outlet connection	small flange KF DN 25
Rated motor power	0.7 kW
Rated speed 50/60 Hz	12500 min <sup>-1</sup>
Protection class IEC 60529	IP 20
Dimensions (L x W x H)	507 mm x 269 mm x 413 mm
Weight	21.5 kg
Noise (sound pressure level) in dBA at 50 Hz or 1500 rpm/62% (VARIO)/1500 rpm (VARIO-SP)/12500 Upm (VACUU·PURE®)	52 dBA
NRTL certification	Yes
Interface	VACUU-BUS: Modbus RTU

**Pumping speed graph at 50 Hz****Pump down graph at 50 Hz (100 l volume)**

Dimension sheet



Alle Maße / all dimensions (mm)  
Gewicht / weight: 21,5 kg

VACUUBRAND Pumpe VACUU-PURE 10C  
Version 01

VACUUBRAND GMBH + CO KG  
P.O. Box 1664  
97877 Wertheim  
T +49 9342 808 5550  
F +49 9342 808 5555

info@vacuubrand.com  
www.vacuubrand.com

**VACUUBRAND®**

VACUUBRAND is part of the Brand group, a manufacturer of high-quality and innovative laboratory equipment and vacuum technology with a global team of approx. 1,000 employees.

With highly motivated and qualified employees, we manufacture the world's most comprehensive product family for vacuum generation, measurement and control for the rough and fine vacuum range in the laboratory.

**All with one goal:**

Enabling our customers to run reliable, safe and efficient processes. This is why we commit ourselves to continuous innovation, first-class performance, and outstanding quality.

Engineering excellence is central to our ability to deliver products and solutions renowned for their quality, durability, and reliability. Innovative technology, high quality materials and extensive testing deliver unmatched performance - engineered and manufactured in Germany.

Together with you, our experts will find the best solution for your application and provide you with first-class service along the way.

BRAND (Shanghai) Trading Co., Ltd.  
Shanghai, China

T +86 21 6422 2318  
info@brand.com.cn  
china.brand.com.cn

BRAND Scientific Equipment Pvt. Ltd.  
Mumbai, India

T +91 22 42957790  
customersupport@brand.co.in  
www.brand.co.in

BRANDTECH® Scientific, Inc.  
Essex, CT. United States of America

T +1 860 767 2562  
info@brandtech.com  
www.brandtech.com