

# Screw pump VACUU·PURE 10

[Link to the website](#)

## Product description

The dry screw pump VACUU·PURE® 10 reliably delivers the benefits of oil-free vacuum technology in the pressure range down to  $10^{-3}$  mbar. VACUU·PURE 10 combines three important benefits for the user: 100% oil-free, no abrasion, and no wear parts. VACUU·PURE 10 is ideal for clean processes which require a dry and hydrocarbon-free vacuum. The spindles of the screw pump run contact-free and are thus free of abrasion and wear. The screw pump is especially designed for processes in the vacuum range down to  $10^{-3}$  mbar, however unlike other fine vacuum technologies it can be used across the entire pressure range from atmospheric pressure to its ultimate vacuum. The evacuation of even larger systems from atmospheric pressure down to the  $10^{-3}$  mbar vacuum range can be done without changing the vacuum pump. VACUU·PURE easily handles high levels of vapor accumulation through its extraordinary condensate compatibility. Thanks to this capability, a gas ballast is unnecessary, avoiding associated disadvantages like the reduction in pumping speed and an increase in noise levels. The integrated regeneration mode enables rapid drying of the pump at the end of the process. This allows sample throughput to be increased significantly as compared to other pump technologies.

## Performance features

- $10^{-3}$  mbar vacuum range
- 100% oil-free
- No abrasion
- No wear parts

## Ordering data

Product name	Nominal mains voltage   mains frequency	Plug type	Articleno.
VACUU·PURE 10	100-230 V   50-60 Hz	CEE	20750000
VACUU·PURE 10	100-230 V   50-60 Hz	CH	20750001
VACUU·PURE 10	100-230 V   50-60 Hz	UK	20750002
VACUU·PURE 10	100-230 V   50-60 Hz	US	20750003
VACUU·PURE 10	100-230 V   50-60 Hz	CN	20750006
VACUU·PURE 10	100-230 V   50-60 Hz	IN	20750007

## Items supplied

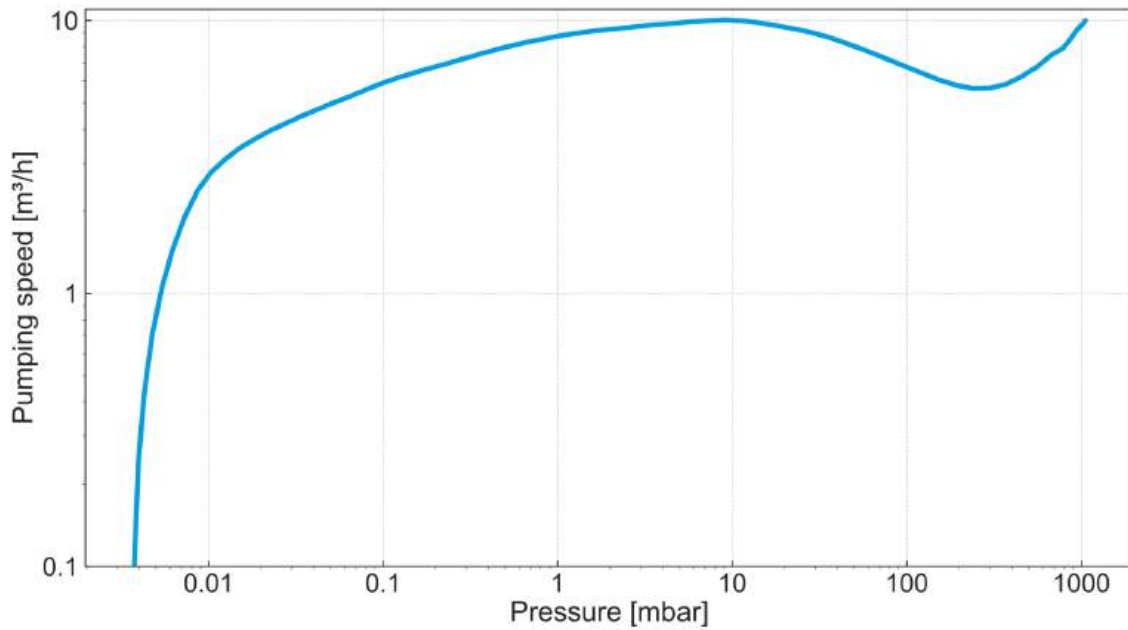
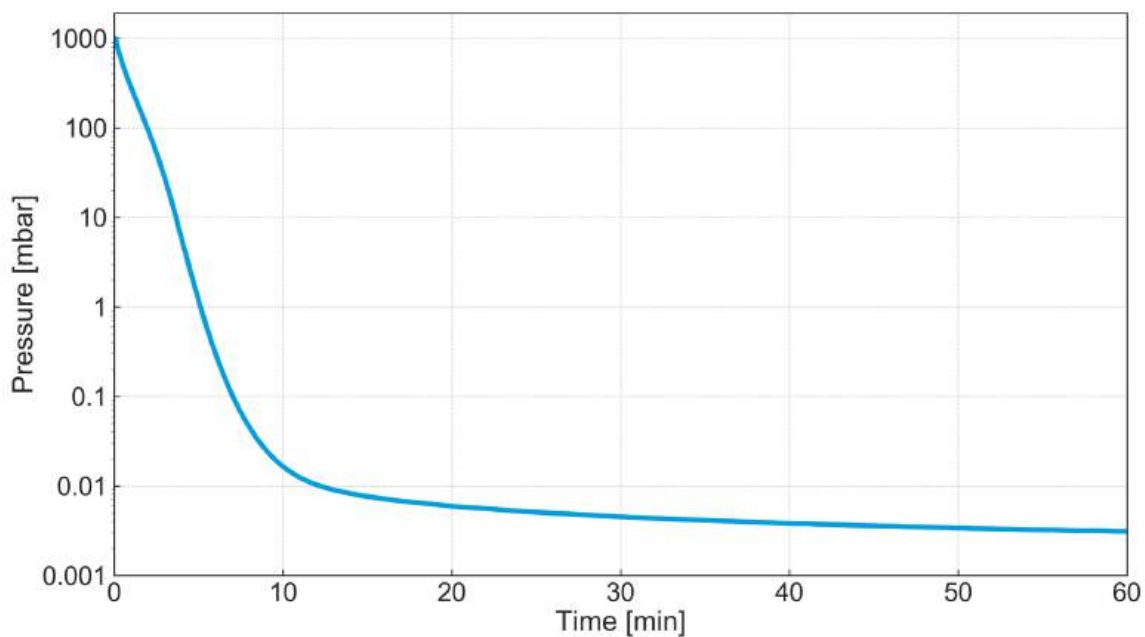
Pump completely mounted, ready for use, connection with small flange KF DN 25, with manual.

## Accessories

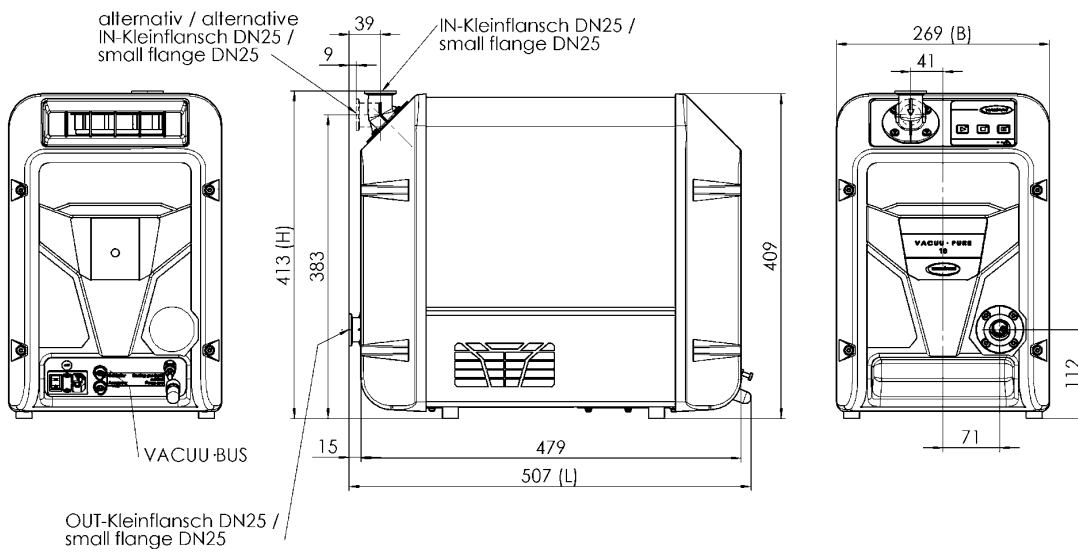
- Mobile underframe VACUU·PURE shuttle (20751800)
- Clamping ring for small flange KF DN 20/25 (20660001)
- External centring ring for small flange KF DN 10/16 (20660195)
- Silencer for VACUU·PURE 10, KF DN 25 Silencer, KF DN 25 (20750801)
- Small flange with hose nozzle KF DN 25 / DN 15 mm (20662519)
- Metal vacuum tubing with small flanges KF DN 25 (20673337)
- Elbow piece with small flanges KF DN 25/25 (20669405)
- Exhaust hose PVC, 26/19 mm (20686056)
- Digital-I/O-Module VACUU·BUS® VACUU·BUS® (20636228)
- Communication Kit, USB to VACUU·BUS converter VACUU·BUS® (20683230)

## Technical data

Max. pumping speed 50 Hz (mbar)	10 m <sup>3</sup> /h
Ultimate vacuum	5 x 10 <sup>-3</sup> mbar / 3.8 x 10 <sup>-3</sup> torr
Vacuum controller	without controller
Permissible ambient temperature range (operation)	10 - 40 °C
Permissible ambient temperature range (storage)	-10 - 60 °C
Max. outlet pressure (abs.)	15 mbar above atmospheric pressure bar
Inlet connection	small flange KF DN 25
Outlet connection	small flange KF DN 25
Rated motor power	0.7 kW
Rated speed 50/60 Hz	12500 min <sup>-1</sup>
Protection class IEC 60529	IP 20
Dimensions (L x W x H)	507 mm x 269 mm x 413 mm
Weight	21.1 kg
Noise (sound pressure level) in dBA at 50 Hz or 1500 rpm/62% (VARIO)/1500 rpm (VARIO-SP)/12500 Upm (VACUU·PURE®)	52 dBA
NRTL certification	Yes
Interface	VACUU-BUS: Modbus RTU

**Pumping speed graph at 50 Hz****Pump down graph at 50 Hz (100 l volume)**

Dimension sheet



Alle Maße / all dimensions (mm)  
Gewicht / weight: 21,1 kg

VACUUBRAND VACUU-PURE 10  
Version 02

VACUUBRAND GMBH + CO KG  
P.O. Box 1664  
97877 Wertheim  
T +49 9342 808 5550  
F +49 9342 808 5555

info@vacuubrand.com  
www.vacuubrand.com

**VACUUBRAND®**

VACUUBRAND is part of the Brand group, a manufacturer of high-quality and innovative laboratory equipment and vacuum technology with a global team of approx. 1,000 employees.

With highly motivated and qualified employees, we manufacture the world's most comprehensive product family for vacuum generation, measurement and control for the rough and fine vacuum range in the laboratory.

**All with one goal:**

Enabling our customers to run reliable, safe and efficient processes. This is why we commit ourselves to continuous innovation, first-class performance, and outstanding quality.

Engineering excellence is central to our ability to deliver products and solutions renowned for their quality, durability, and reliability. Innovative technology, high quality materials and extensive testing deliver unmatched performance - engineered and manufactured in Germany.

Together with you, our experts will find the best solution for your application and provide you with first-class service along the way.

BRAND (Shanghai) Trading Co., Ltd.  
Shanghai, China

T +86 21 6422 2318  
info@brand.com.cn  
china.brand.com.cn

BRAND Scientific Equipment Pvt. Ltd.  
Mumbai, India

T +91 22 42957790  
customersupport@brand.co.in  
www.brand.co.in

BRANDTECH® Scientific, Inc.  
Essex, CT. United States of America

T +1 860 767 2562  
info@brandtech.com  
www.brandtech.com