

# Chemistry pumping unit PC 610 select

[Link to the website](#)



## Product description

Our PC 600-series chemistry pumping units of this series are an excellent choice for supporting electronically controlled evaporation or drying processes with even many high boiling point solvents. Our popular MD 4C NT three-stage chemistry diaphragm pump, with its 2 mbar ultimate vacuum rating, is the heart of these pumping units. Typical applications include lab applications such as rotary evaporation, vacuum drying ovens, and vacuum distillation. The integrated VACUU·SELECT controller provides an easy-to-use, application based interface that covers all common lab applications. The VACUU·SELECT controller has you covered. Use manual set-point-control for simple processes, run distillations, or create your own application with simple drag-and-drop editing. For solvent evaporation, it constantly monitors the pressure and switches to 2 point control mode to hold the pressure stable when a boiling point is detected. The controller also allows for easy manual vacuum control for simple processes. The inlet separator, made of glass with protective coating, prevents particles and liquid droplets from entering the pump. The exhaust vapor condenser provides nearly 100% recovery of solvents for economical recycling and environmental protection.

## Performance features

- VACUU·SELECT vacuum controller with graphical user interface simplifies work in the laboratory
- predefined applications save time and give reproducible results
- easy-to-use application editor allows own process sequences
- meets high vacuum requirements for most high boiling solvents
- excellent environmental friendliness due to efficient solvent recovery

## Ordering data

Product name	Nominal mains voltage   mains frequency	Plug type	Articleno.
PC 610 select	230 V   50-60 Hz	CEE	20737150
PC 610 select	230 V   50-60 Hz	CH	20737151
PC 610 select	230 V   50-60 Hz	UK	20737152
PC 610 select	100-115 V   50-60 Hz 120 V   60 Hz	US	20737153
PC 610 select	230 V   50-60 Hz	CN	20737156
PC 610 select	230 V   50-60 Hz	IN	20737157

## Items supplied

Pumping unit completely mounted, ready for use, with manual.

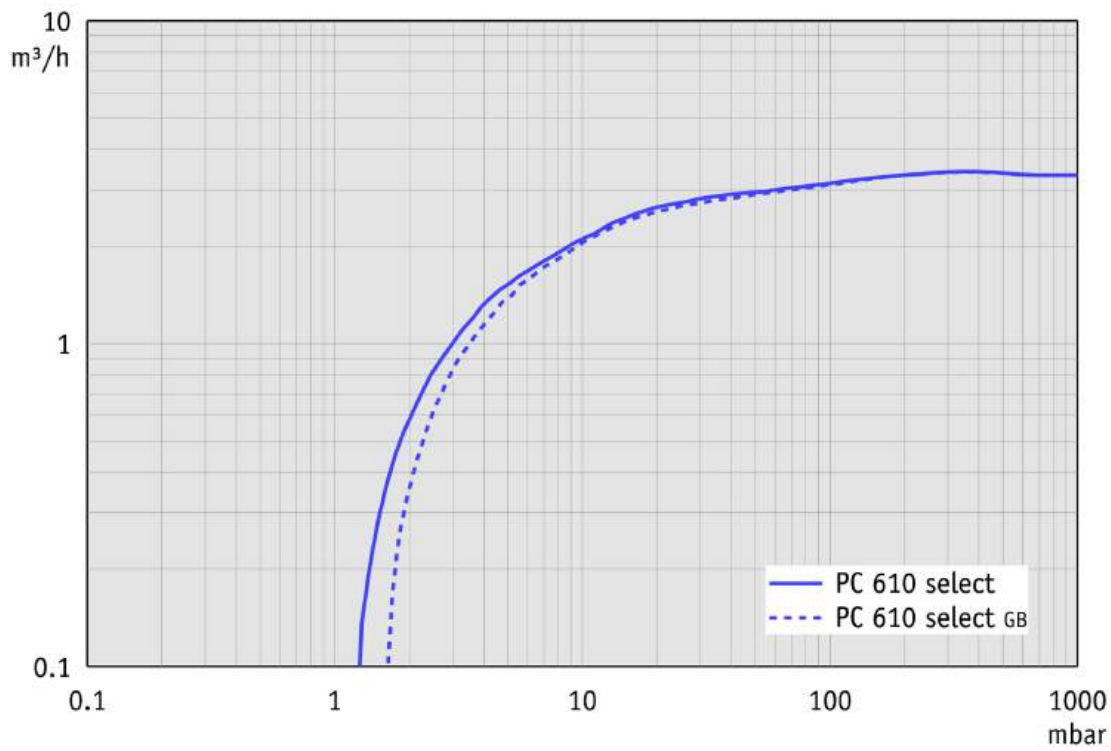
## Accessories

- Function extension for VACUU-SELECT controller VACUU-SELECT User Management (20700900)
- Silencer with hose 5cm DN 8-10mm (20636588)
- VACUU-LAN® module Einstellwinkel 90° (20637873)
- Rubber vacuum tubing DN 8 mm (20686001)
- Fluid level sensor for round bottom flask 500 ml 500 ml (20699908)
- Cooling water valve VKW-B (20674220)

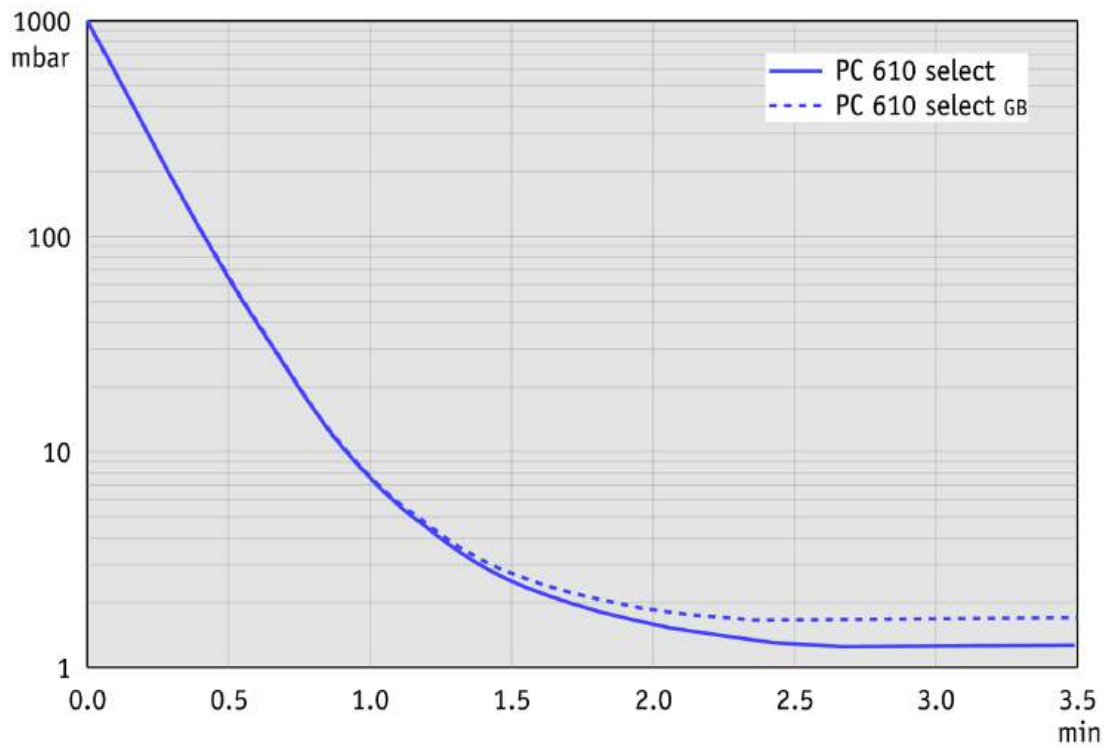
## Technical data

Max. pumping speed 50 Hz (mbar)	3.4 m <sup>3</sup> /h
Max. pumping speed 60 Hz (cfm)	2.2 cfm
Ultimate vacuum	1.5 mbar / 1.1 torr
Ultimate vacuum with gas ballast	3 mbar / 2.2 torr
Number of heads	4
Number of stages	3
Vacuum controller	VACUU·SELECT
Permissible ambient temperature range (operation)	10 - 40 °C
Permissible ambient temperature range (storage)	-10 - 60 °C
Max. outlet pressure (abs.)	1.1 bar
Inlet connection	Hose nozzle DN 8-10 mm
Outlet connection	Hose nozzle DN 8-10 mm
Coolant connection	2 x hose nozzle DN 6-8 mm
Rated motor power	0.25 kW
Rated speed 50/60 Hz	1500/1800 min <sup>-1</sup>
Protection class IEC 60529	IP 20
Dimensions (L x W x H)	419 mm x 243 mm x 457 mm
Weight	20.4 kg
Noise (sound pressure level) in dBA at 50 Hz or 1500 rpm/62% (VARIO)/1500 rpm (VARIO-SP)/12500 Upm (VACUU·PURE®)	45 dBA
NRTL certification	No
Interface	Ethernet (RJ45): Modbus TCP / USB (Type A): Data transfer, software update, RS-232 (additional adapter required)

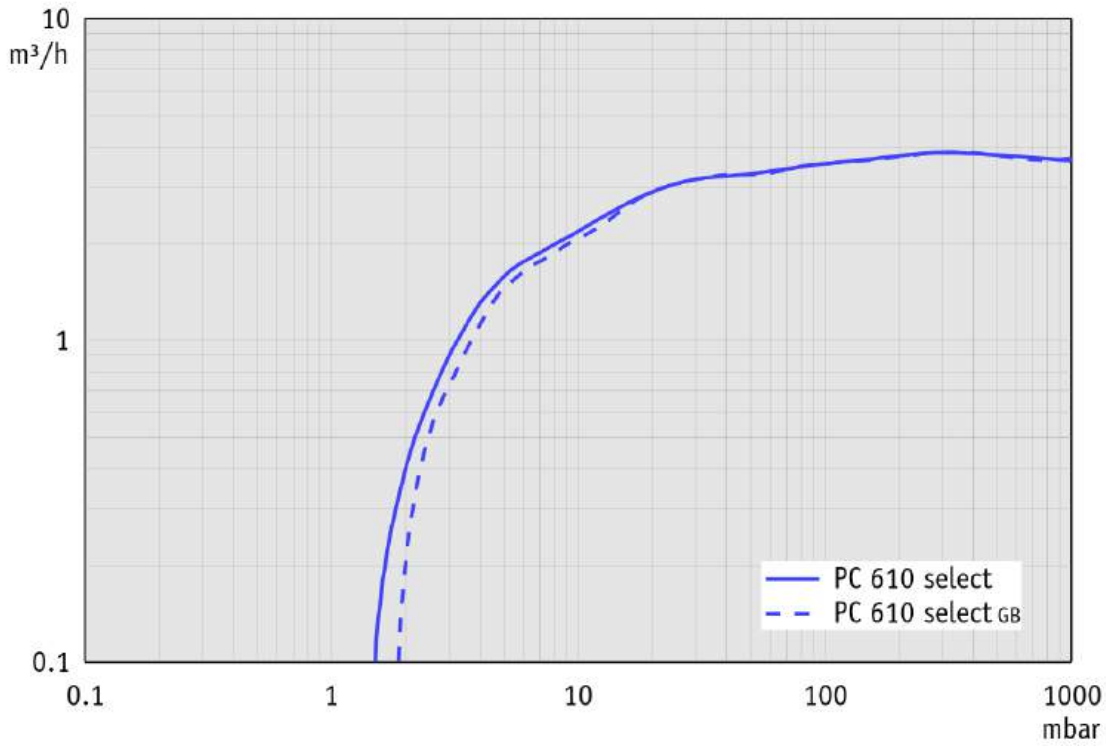
Pumping speed graph at 50 Hz



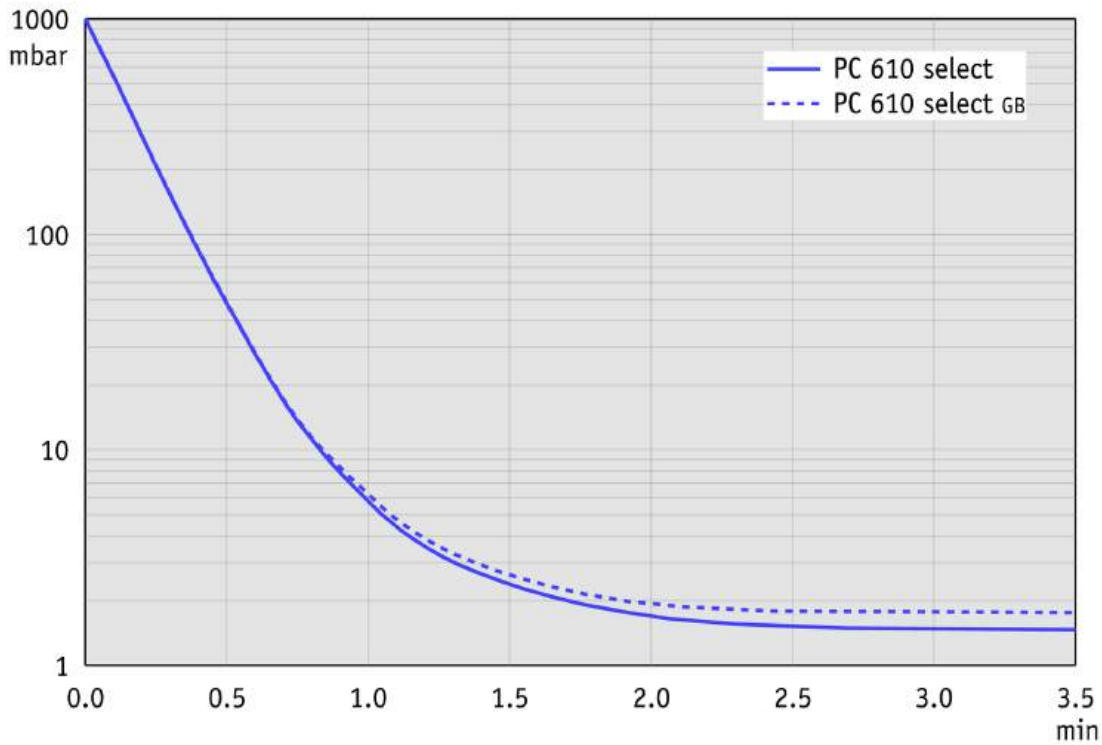
Pump down graph at 50 Hz (10 l volume)



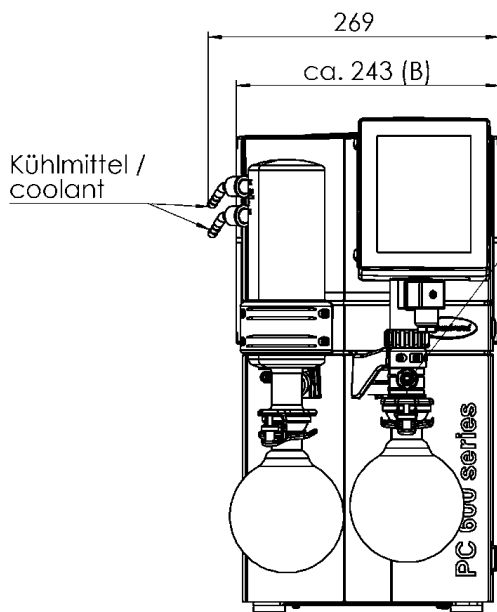
Pumping speed graph at 60 Hz



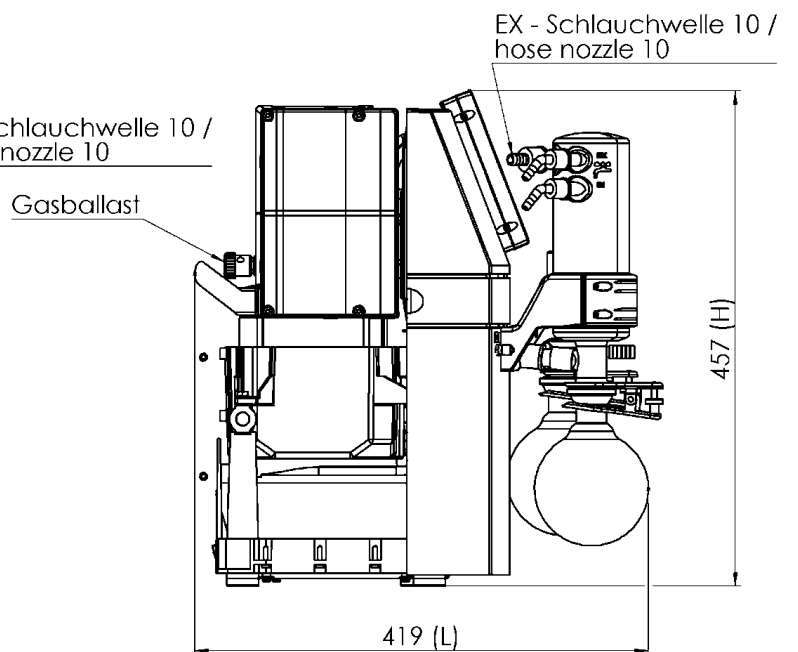
Pump down graph at 60 Hz (10 l volume)



Dimension sheet



Alle Maße / all dimensions (mm)  
Gewicht / weight: ca.20,4 kg



VACUUBRAND PC 610 select  
Version 2017/08/24

VACUUBRAND GMBH + CO KG  
P.O. Box 1664  
97877 Wertheim  
T +49 9342 808 5550  
F +49 9342 808 5555

info@vacuubrand.com  
www.vacuubrand.com

**VACUUBRAND®**

VACUUBRAND is part of the Brand group, a manufacturer of high-quality and innovative laboratory equipment and vacuum technology with a global team of approx. 1,000 employees.

With highly motivated and qualified employees, we manufacture the world's most comprehensive product family for vacuum generation, measurement and control for the rough and fine vacuum range in the laboratory.

**All with one goal:**

Enabling our customers to run reliable, safe and efficient processes. This is why we commit ourselves to continuous innovation, first-class performance, and outstanding quality.

Engineering excellence is central to our ability to deliver products and solutions renowned for their quality, durability, and reliability. Innovative technology, high quality materials and extensive testing deliver unmatched performance - engineered and manufactured in Germany.

Together with you, our experts will find the best solution for your application and provide you with first-class service along the way.

BRAND (Shanghai) Trading Co., Ltd.  
Shanghai, China

T +86 21 6422 2318  
info@brand.com.cn  
china.brand.com.cn

BRAND Scientific Equipment Pvt. Ltd.  
Mumbai, India

T +91 22 42957790  
customersupport@brand.co.in  
www.brand.co.in

BRANDTECH® Scientific, Inc.  
Essex, CT. United States of America

T +1 860 767 2562  
info@brandtech.com  
www.brandtech.com