

Fluid aspiration system BVC control G

[Link to the website](#)



Product description

The BioChem-VacuuCenter BVC control serves for efficient and convenient aspiration of supernatants. The vacuum level - and thus the suction force - is exactly adjustable by the electronic touch panel and allows a sensitive and reproducible operation. The chemically resistant diaphragm vacuum pump is automatically turned on and off as needed, which reduces the low noise level even further. The BVC control is available in two complete equipment options with different collection flasks. The 2l borosilicate glass bottle with a protective coating has a very high chemical resistance. For larger amounts of liquids the 4l bottle of unbreakable polypropylene (PP) is used. The smooth surfaces allow an easy cleaning of the systems.

Performance features

- powerful and long-lasting chemistry diaphragm pump for universal economical use
- extremely compact, space saving and low noise and thus the ideal tool in the workplace
- easy operation due to electronically adjustable suction power via touch panel, for strong or sensitive suction
- autoclavable collection bottle designed to reduce aerosol and foam formation; with hydrophobic protection filter 0.2 µm, autoclavable quick-couplings available as accessory
- ready to accept a second aspiration hand controller (VHC^{PRO}) to support two users

Ordering data

Product name	Nominal mains voltage mains frequency	Plug type	Articleno.
BVC control G	230 V 50-60 Hz	CEE	20727300
BVC control G	230 V 50-60 Hz	CH, CN	20727301
BVC control G	230 V 50-60 Hz	UK, IN	20727302
BVC control G	100-115 V 50-60 Hz 120 V 60 Hz	US	20727303

Items supplied

Fluid aspiration system complete with powerful chemistry diaphragm pump, collection bottle, adjustable suction power control via touch panel, aspiration hand set VHC^{PRO} and protection filter, ready for use with manual.

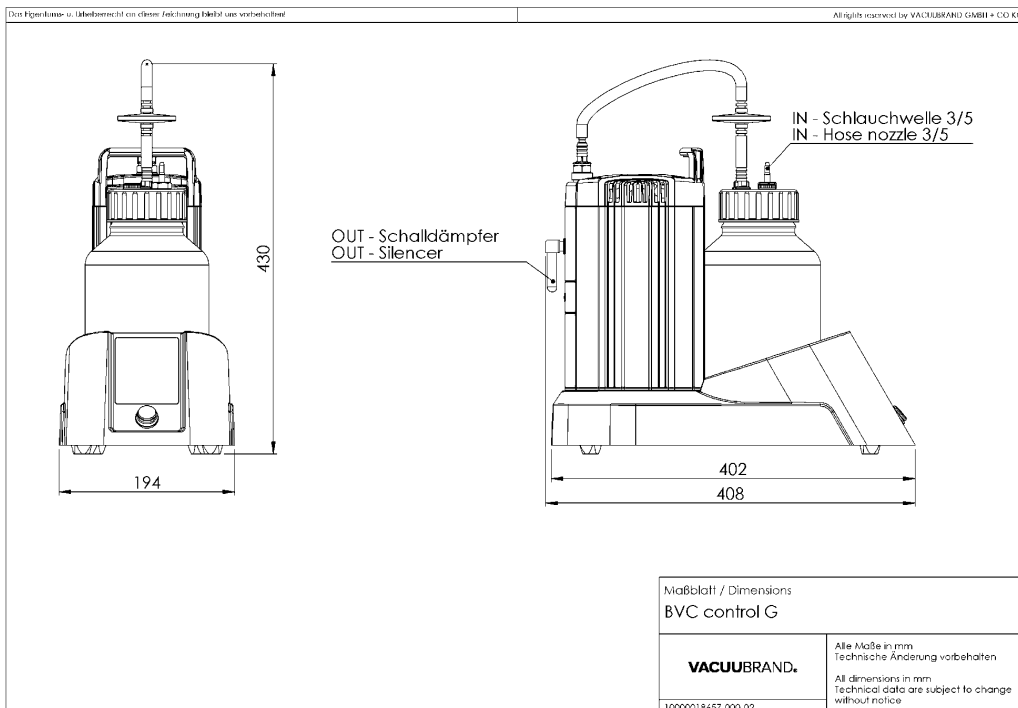
Accessories

- VacuuHandControl VHC^{PRO} (20688061)
- BVC 2l bottle glass BVC (20635809)
- Bottle 2L glass, with cap unmachined (w/o filter, connection for hose, blind plug) BVC (20635871)
- Table stand for VHC^{PRO} VHC^{PRO} (20635680)
- 8-channel tip adapter with ejector, for VacuuHandControl VHCpro BVC (20635679)
- BVC shuttle BVC shuttle (20696880)

Technical data

Max. pumping speed of the vacuum pump 50 Hz (mbar)	0.7 m ³ /h
Max. pumping speed of the vacuum pump 60 Hz (cfm)	0.7 cfm
Ultimate vacuum	150 mbar / 112 torr
Number of heads	1
Number of stages	1
Vacuum controller	Touchpanel
Collection bottle	2l Glass
Permissible ambient temperature range (operation)	10 - 40 °C
Permissible ambient temperature range (storage)	-10 - 60 °C
Max. outlet pressure (abs.)	1.1 bar
Inlet connection	Suction controller
Outlet connection	Hose nozzle DN 8 mm / silencer
Rated motor power	0.04 kW
Rated speed 50/60 Hz	1500/1800 min ⁻¹
Protection class IEC 60529	IP 40
Dimensions (L x W x H)	408 mm x 194 mm x 430 mm
Weight	8.1 kg
Noise (sound pressure level) in dBA at 50 Hz or 1500 rpm/62% (VARIO)/1500 rpm (VARIO-SP)/12500 Upm (VACUU·PURE®)	49 dBA
NRTL certification	No

Dimension sheet



VACUUBRAND GMBH + CO KG
P.O. Box 1664
97877 Wertheim
T +49 9342 808 5550
F +49 9342 808 5555

info@vacuubrand.com
www.vacuubrand.com

VACUUBRAND®

VACUUBRAND is part of the Brand group, a manufacturer of high-quality and innovative laboratory equipment and vacuum technology with a global team of approx. 1,000 employees.

With highly motivated and qualified employees, we manufacture the world's most comprehensive product family for vacuum generation, measurement and control for the rough and fine vacuum range in the laboratory.

All with one goal:

Enabling our customers to run reliable, safe and efficient processes. This is why we commit ourselves to continuous innovation, first-class performance, and outstanding quality.

Engineering excellence is central to our ability to deliver products and solutions renowned for their quality, durability, and reliability. Innovative technology, high quality materials and extensive testing deliver unmatched performance - engineered and manufactured in Germany.

Together with you, our experts will find the best solution for your application and provide you with first-class service along the way.

BRAND (Shanghai) Trading Co., Ltd.
Shanghai, China

T +86 21 6422 2318
info@brand.com.cn
china.brand.com.cn

BRAND Scientific Equipment Pvt. Ltd.
Mumbai, India

T +91 22 42957790
customersupport@brand.co.in
www.brand.co.in

BRANDTECH® Scientific, Inc.
Essex, CT. United States of America

T +1 860 767 2562
info@brandtech.com
www.brandtech.com