

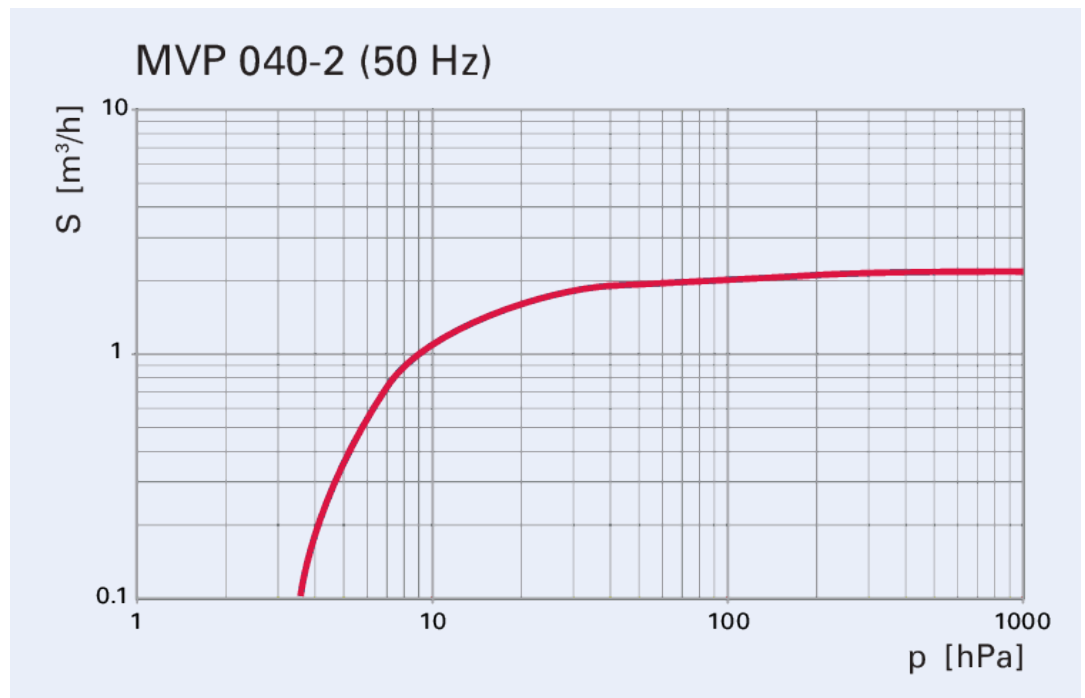
# MVP 040-2



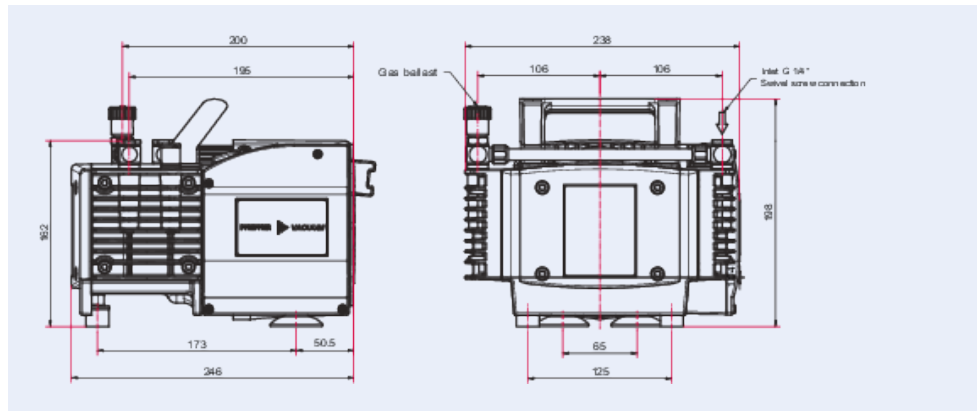
## MVP 040-2, diaphragm pump, 100–230 V, 50/60 Hz

- Diaphragm pump with a pumping speed of up to 2.5 m<sup>3</sup>/h
- No hydrocarbons: Completely dry & oil-free diaphragm pump
- Low noise level, minimal vibrations and compact design, ideal also for use in laboratories
- Low operating costs thanks to the highest quality, short maintenance times and long maintenance intervals
- Simple logistics: Our diaphragm pumps are suitable for all voltages worldwide

## Characteristics



## Dimensions



Technical Data	MVP 040-2, diaphragm pump, 100–230 V, 50/60 Hz
Pumping speed at 50 Hz	2.3 m <sup>3</sup> /h   1.35378 cfm   38.3341 l/min
Pumping speed at 60 Hz	2.5 m <sup>3</sup> /h   1.4715 cfm   41.6675 l/min
Final pressure	4 · 10 <sup>0</sup> hPa   3 · 10 <sup>0</sup> Torr   4 · 10 <sup>0</sup> mbar
Final pressure with gas ballast	5 · 10 <sup>0</sup> hPa   3.75 · 10 <sup>0</sup> Torr   5 · 10 <sup>0</sup> mbar
Integral leak rate	2 · 10 <sup>-3</sup> Pa m <sup>3</sup> /s   2.66 · 10 <sup>-1</sup> Torr l/s   2 · 10 <sup>-1</sup> mbar l/s
Intake pressure max.	1,100 hPa   825 Torr   1,100 mbar
Exhaust pressure, max.	1,100 hPa   825 Torr   1,100 mbar
Connection flange (in)	G ¼"
Connection flange (out)	1/4" thread with silencer
Input voltage(s)	100 – 115 / 200 – 230 V AC, 50 Hz   100 – 115 / 120 / 200 – 230 V AC (±10 %), 60 Hz
Input voltage: tolerance	±10 %
Motor type	1-phase motor
Current, max.	3.4 A
Protection degree	IP40
Certification	cTUVus certified according to UL / CSA 61010-1
Switch	Yes
Emission sound pressure level (EN ISO 2151)	53 dB(A)
Ambient temperature	10 – 40 °C
Temperature: Storage	-10 – 60 °C
Temperature: Shipping	-10 – 60 °C
Cooling method	Air (Forced convection)
Weight	11.4 kg   25.13 lb
Gas ballast	Yes
Operating altitude, max.	2,000 m

Order number	MVP 040-2, diaphragm pump, 100–230 V, 50/60 Hz
MVP 040-2, diaphragm pump, 100–230 V, 50/60 Hz	PK T01 210

<b>Accessories</b>	<b>MVP 040-2, diaphragm pump, 100–230 V, 50/60 Hz</b>
Elbow union for MVP 035-160 1/4" thread	P 0920 813
Silencer for MVP 040/070 (C) 1/4" thread	PK 050 187
Inspection set for MVP 040-2	PU E22 013 -T
Fuse set for MVP 040/070 (C)	PU E22 016 -T
Spare part package fan for MVP 040/070 (C)	PU E22 019 -T