

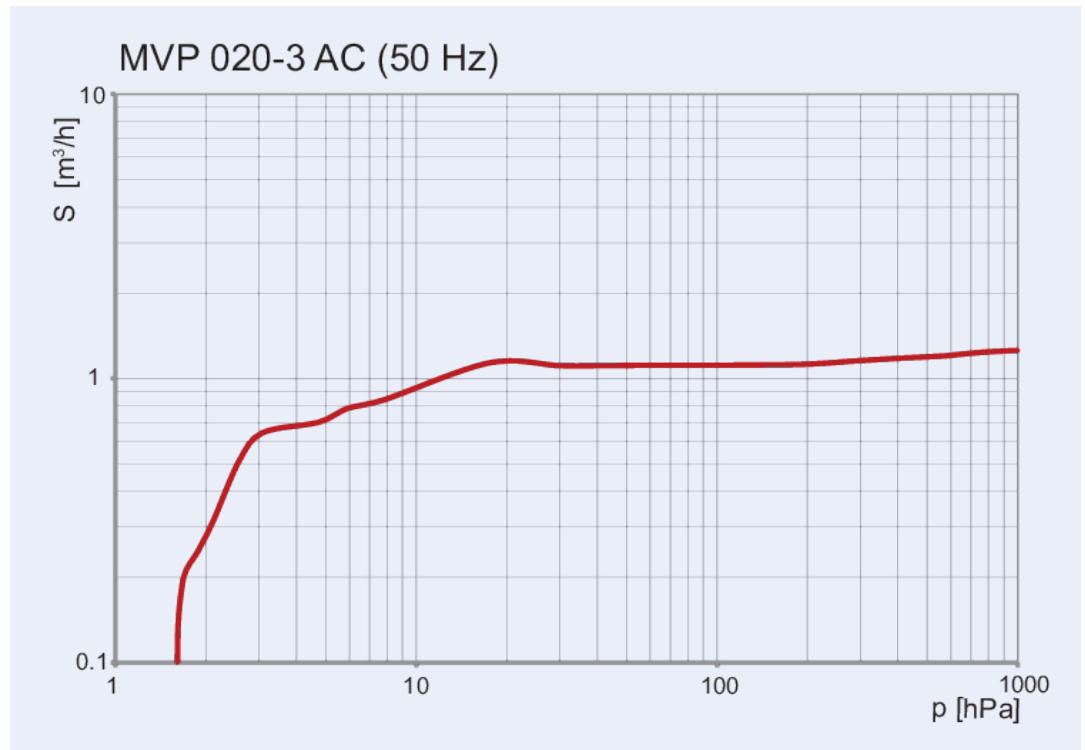
MVP 020-3 AC



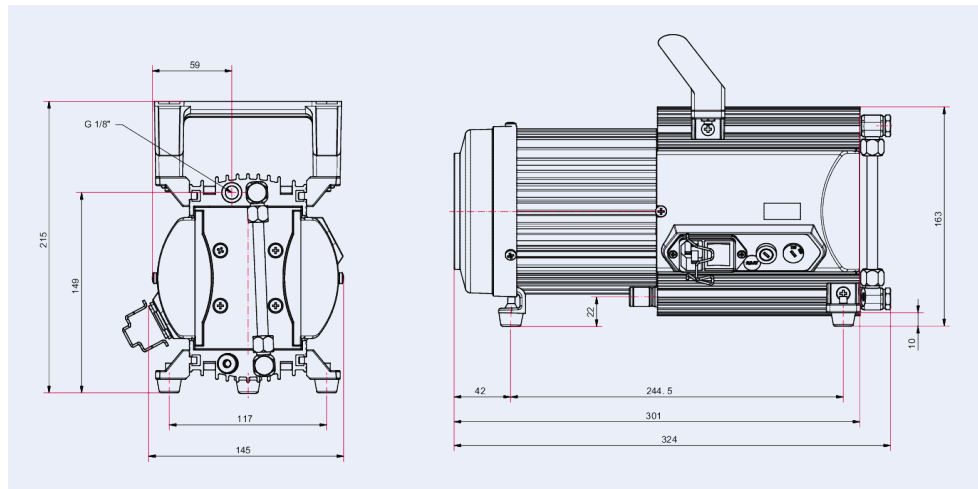
MVP 020-3 AC, diaphragm pump, 100–115 V / 220–230 V, 50/60 Hz, 120 V 60 Hz

- Diaphragm pump with a pumping speed of up to 1.4 m³/h
- No hydrocarbons: Completely dry & oil-free diaphragm pump
- Low noise level, minimal vibrations and compact design, ideal also for use in laboratories
- Low operating costs thanks to the highest quality, short maintenance times and long maintenance intervals
- Simple logistics: Our diaphragm pumps are suitable for all voltages worldwide

Characteristics



Dimensions



Technical Data

MVP 020-3 AC, diaphragm pump, 100–115 V / 220–230 V, 50/60 Hz, 120 V 60 Hz

Pumping speed at 50 Hz	1.2 m ³ /h 0.70632 cfm 20.0004 l/min
Pumping speed at 60 Hz	1.4 m ³ /h 0.82404 cfm 23.3338 l/min
Final pressure	2 · 10 ⁰ hPa 1.5 · 10 ⁰ Torr 2 · 10 ⁰ mbar
Final pressure with gas ballast	3 · 10 ⁰ hPa 2.25 · 10 ⁰ Torr 3 · 10 ⁰ mbar
Integral leak rate	1 · 10 ⁻² Pa m ³ /s 1.33 · 10 ⁰ Torr l/s 1 · 10 ⁰ mbar l/s
Intake pressure max.	1,100 hPa 825 Torr 1,100 mbar
Exhaust pressure, max.	1,100 hPa 825 Torr 1,100 mbar
Connection flange (in)	G 1/8", 1 m intake hose DN 8, lock nut, red rubber cap
Connection flange (out)	1/8" thread with silencer
Input voltage(s)	100 – 115 / 220 – 230 V AC, 50 Hz 100 – 115 / 120 / 220 – 230 V AC (±10 %), 60 Hz
Input voltage: tolerance	±10 %
Motor type	1-phase motor
Current, max.	1.7 A
Protection degree	IP40 Type 1
Certification	cTUVus certified according to UL / CSA 61010-1
Switch	Yes
Emission sound pressure level (EN ISO 2151)	48 dB(A)
Ambient temperature	10 – 40 °C
Temperature: Storage	-10 – 60 °C
Temperature: Shipping	-10 – 60 °C
Cooling method	Air (Forced convection)
Weight	7.3 kg 16.09 lb
Gas ballast	Available as an accessory
Operating altitude, max.	2,000 m

Order number	MVP 020-3 AC, diaphragm pump, 100–115 V / 220–230 V, 50/60 Hz, 120 V 60 Hz
MVP 020-3 AC, diaphragm pump, 100–115 V / 220–230 V, 50/60 Hz, 120 V 60 Hz	PK T01 110

Accessories	MVP 020-3 AC, diaphragm pump, 100–115 V / 220–230 V, 50/60 Hz, 120 V 60 Hz
Silencer for MVP 020	P 0995 942
Banjo fitting for MVP 020 1/8" thread for hose ø8/6mm (internal connection)	P 0995 943
U sealing ring U 10.4/16 x 2	P 3529 133 -P
Fan cover for MVP 020 AC	PK 050 189
Housing cover for MVP 020/030 (parallel connection)	PK 050 190
Housing cover for MVP 020/030 (series connection)	PK 050 191
Head cover MVP 020-3 / MVP 030-3	PK 050 223
Inspection set for MVP 020/030	PU E22 003 -T
Spare part package fan for MVP 020-3 AC	PU E22 020 -T