

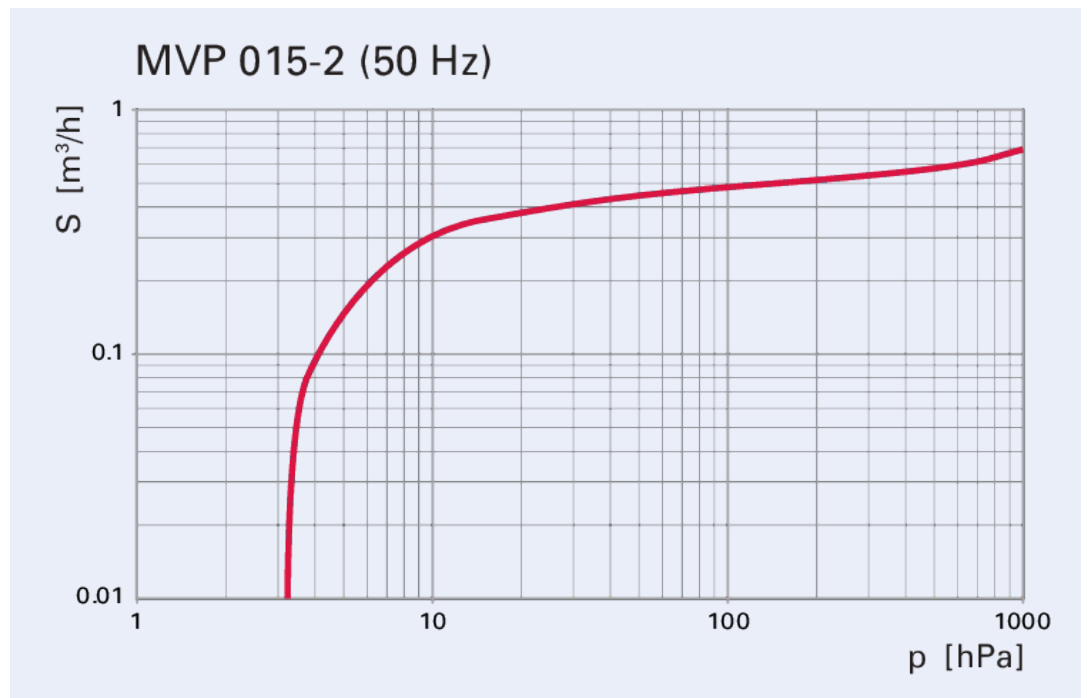
# MVP 015-2



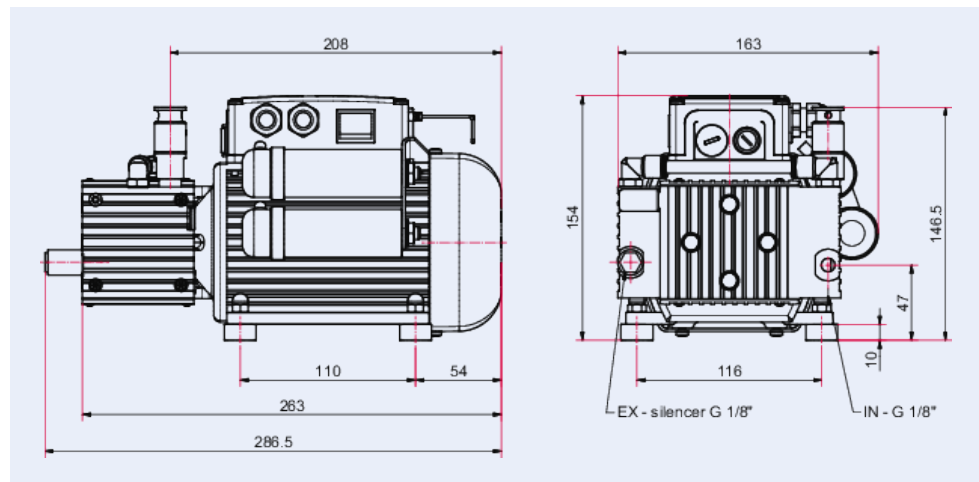
## MVP 015-2, diaphragm pump, 100–236 V, 50/60 Hz

- Diaphragm pump with a pumping speed of up to 0.7 m<sup>3</sup>/h
- No hydrocarbons: Completely dry & oil-free diaphragm pump
- Low noise level, minimal vibrations and compact design, ideal also for use in laboratories
- Low operating costs thanks to the highest quality, short maintenance times and long maintenance intervals
- Simple logistics: Our diaphragm pumps are suitable for all voltages worldwide

## Characteristics



## Dimensions



Technical Data	MVP 015-2, diaphragm pump, 100–236 V, 50/60 Hz
Pumping speed at 50 Hz	0.5 m <sup>3</sup> /h   0.2943 cfm   8.3335 l/min
Pumping speed at 60 Hz	0.7 m <sup>3</sup> /h   0.41202 cfm   11.6669 l/min
Final pressure	3.5 · 10 <sup>0</sup> hPa   2.625 · 10 <sup>0</sup> Torr   3.5 · 10 <sup>0</sup> mbar
Final pressure with gas ballast	4.5 · 10 <sup>0</sup> hPa   3.375 · 10 <sup>0</sup> Torr   4.5 · 10 <sup>0</sup> mbar
Integral leak rate	5 · 10 <sup>-4</sup> Pa m <sup>3</sup> /s   6.65 · 10 <sup>-2</sup> Torr l/s   5 · 10 <sup>-2</sup> mbar l/s
Intake pressure max.	1,100 hPa   825 Torr   1,100 mbar
Exhaust pressure, max.	1,100 hPa   825 Torr   1,100 mbar
Connection flange (in)	G 1/8"
Connection flange (out)	G 1/8" with silencer
Input voltage(s)	100 – 115 / 208 – 236 V AC, 50 Hz   100 – 115 / 208 – 236 V AC (±10 %), 60 Hz
Input voltage: tolerance	±10 %
Motor type	1-phase motor
Current, max.	2.8 A
Protection degree	IP20   Type 1
Certification	cTUVus certified according to UL / CSA 61010-1
Switch	Yes
Emission sound pressure level (EN ISO 2151)	52 dB(A)
Ambient temperature	5 – 40 °C
Temperature: Storage	5 – 40 °C
Temperature: Shipping	-10 – 60 °C
Cooling method	Air (Forced convection)
Weight	6.5 kg   14.33 lb
Gas ballast	Yes
Operating altitude, max.	2,000 m

<b>Order number</b>	<b>MVP 015-2, diaphragm pump, 100–236 V, 50/60 Hz</b>
MVP 015-2, diaphragm pump, 100–236 V, 50/60 Hz	PK T05 100

<b>Accessories</b>	<b>MVP 015-2, diaphragm pump, 100–236 V, 50/60 Hz</b>
Device fuse 5 x 20 mm, 250 V, 3,15 A, slow	P 0920 109
Silencer for MVP R 1/8"	P 0920 567
Interhead connection for MVP 015-2 AC 1/8" thread	PK 050 002 -T
Inspection set for MVP 015 type 2 structure diaphragm	PU E22 001 -T
Spare part package head cover for MVP 015-2	PU E22 017 -T
Fan spare part package for MVP 015-2	PU E22 026 -T