



# Microplate Vortex Mixers



## *The Ideal Solution for Dependable Vortex Mixing of Microplates*

OHAUS Microplate Vortex Mixers are perfect for mixing microplates throughout the speed range. All models are designed for continuous-duty use in the lab. Digital models offer a timer and exact speed control for applications that demand repeatable results and non-digital variable speed models are an economical alternative. The high-speed and small orbit of these mixers make them optimal for effectively mixing microplates.

### *Standard Features:*

- Safe to mix at high speeds - the innovative locking design of the microplate accessories allows these mixers to safely operate throughout the entire speed range.
- These mixers utilize a high quality German-manufactured motor allowing for reliable, continuous-duty operation at any speed.
- Robust digital and non-digital models offer effective speed control from low rpm for gentle shaking to high-speed mixing for vigorous vortexing of samples.

# Microplate Vortex Mixers

Model	VXMPAL	VXMPDG
Control	Analog	Digital
Speed Range	On Mode, 300 rpm – 2500 rpm, Touch Mode, 300 rpm – 3500 rpm	
Orbit	0.1 in. / 3.5 mm	
Duty Rating	Continuous	
Capacity	2 microplates	
Working Environment	39 °F – 104 °F, 20% – 85% RH*, non-condensing / 4 °C – 40 °C, 20% – 85% RH*, non-condensing	
Power	120V, 0.25A, 50/60Hz	
Power Consumption	30 W	
Dimensions (W × L × H)	5.4 × 10.5 × 4.5 in. / 137 × 266 × 114 mm	
Net Weight	11.7 lb / 5.3 kg	

\*Relative Humidity

## Other Standard Features and Equipment

Detachable 3-wire cord and plug (included), single microplate adapter and cup head (included)

## Compliance

- **Product Safety:** CAN/CSA C22.2 61010-1, CAN/CSA C22.2 61010-2-051, UL 61010-1
- **Electromagnetic Compatibility:** ICES-003 Class A, FCC Part 15 Class A
- **Compliance Marks:** TÜV SÜD

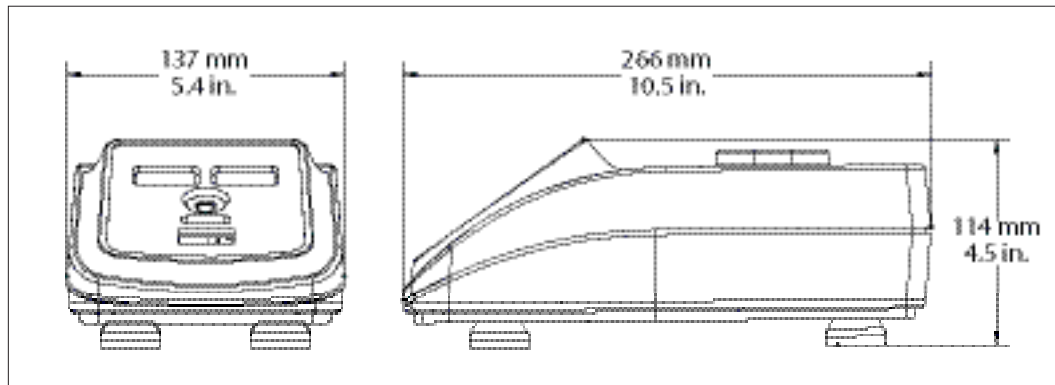
## Accessories

Cup Head, VXHD and VXMP Vortex Mixers . . . . .30400210

Double Microplate Holder . . . . .30400213

Single Microplate Holder . . . . .30400215

## Dimensions



### OHAUS CORPORATION

7 Campus Drive  
Suite 310  
Parsippany, NJ 07054 USA

Tel: 800.672.7722

973.377.9000

Fax: 973.944.7177

[www.ohaus.com](http://www.ohaus.com)

*The management system  
governing the manufacture  
of this product is  
ISO 9001:2015 certified.*

