



Rocking & Waving Shakers



Reliable Rocking and Waving Shakers with Simple Adjustments for Tilt Angle and Speed

OHAUS Rocking and Waving Shakers are innovatively designed for use in a wide range of lab applications. Rocking Shakers provide controlled seesaw-like motion, while Waving Shakers offer a smooth, low-foaming, 3D wave motion. Available in microprocessor-controlled digital models and economical non-digital models. All models include a non-slip mat, and most models are available with a stacking tray option to easily double the capacity.

Standard Features:

- Electronic control allows simple tilt angle and speed adjustments while the unit is still running to achieve optimal mixing.
- Achieve reproducible results you can trust with digital models. Precisely adjust the tilt angle in 1° increments with variable speed down to 1 rpm with intuitive touchpad controls.
- Optimal speed ramping feature slowly increases speed to desired setpoint to avoid splashing. Smooth rocking or waving motion is maintained with state-of-the-art motor and electronics.

Rocking & Waving Shakers

Model	SHRK07AL1	SHRK07AL2	SHRK04DG	SHWV02AL	SHWV02DG
Control	Analog	Analog	Digital	Analog	Digital
Motion / Tilt Angle	Rocking / 0 – 15°			Waving / 0 – 16°	
Speed Range	1 – 75 rpm		1 – 50 rpm	1 – 75 rpm	1 – 30 rpm
Speed Accuracy	± 1 rpm				
Timer	1 minute – 120 minutes		1 second – 160 hours	1 minute – 120 minutes	1 second – 160 hours
Capacity	16 lb / 7.3 kg		10 lb / 4.5 kg	5 lb / 2.3 kg	
Working Environment	14 °F – 140 °F, 80% Relative Humidity, non-condensing / -10 °C – 60 °C, 80% Relative Humidity, non-condensing				
Drive System	Stepper Motor				
Included Tray (L x W)	14 in. x 11 in. / 356 x 279 mm		12.75 in. x 10 in. / 324 x 254 mm	14 in. x 11 in. / 356 x 279 mm	11.75 in. x 8.75 in. / 299 x 222 mm
Tray Construction	Aluminum				
Tiers	1	2	1		
Overall Dimensions (L x W x H)	16.8 x 11 x 6.5 in. / 425 x 279 x 165 mm	16.8 x 11 x 9.5 in. / 425 x 279 x 241 mm	16.8 x 10 x 5.5 in. / 425 x 254 x 140 mm	16.8 x 11 x 6.5 in. / 425 x 279 x 165 mm	17 x 11 x 6 in. / 432 x 279 x 152 mm
Net Weight	14.6 lb / 6.6 kg	15.5 lb / 7 kg	14.6 lb / 6.6 kg		15.2 lb / 6.9 kg
Power	120V, 0.125A, 50/60Hz		120V, 5A, 50/60Hz	120V, 0.125A, 50/60Hz	120V, 5A, 50/60Hz
Power Consumption	15 W		25 W		

Other Standard Features and Equipment

Built-in tray with non-slip rubber mat (included), overload protection with audio/visual alarm on digital models and audible alarm on analog models

Compliance

- **Product Safety:** CAN/CSA C22.2 61010-1, CAN/CSA C22.2 61010-2-051, UL 61010-1, UL 61010-2-051
- **Electromagnetic Compatibility:** ICES-003 Class A, FCC Part 15 Class A
- **Compliance Marks:** TÜV SÜD

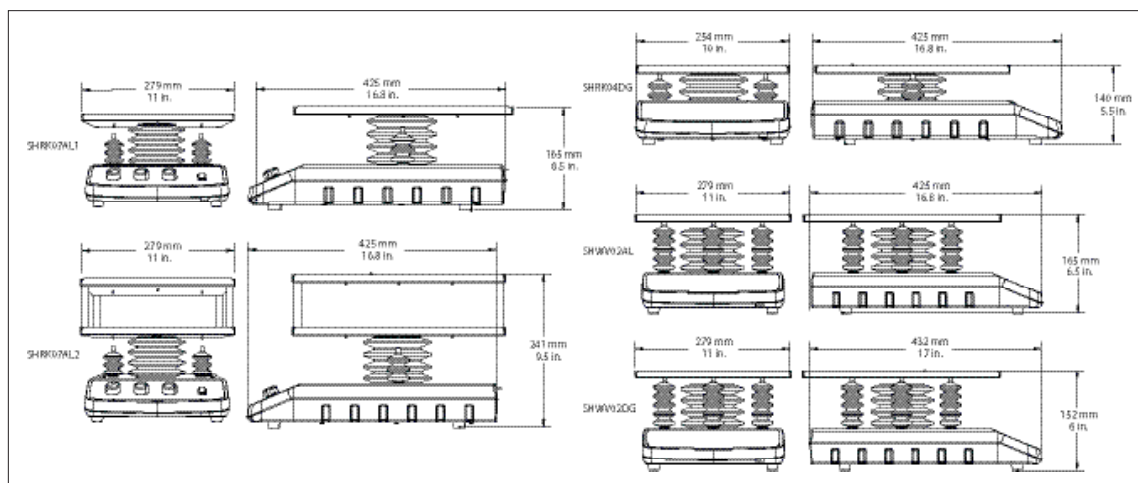
Applications

Mixing blood samples, DNA extractions, blotting techniques, staining and destaining gels, hybridizations

Accessories

Rocking and Waving Shaker Accessories						
Item No.	Description	SHRK07AL1	SHRK07AL2	SHRK04DG	SHWV02AL	SHWV02DG
30400137	Double Tier Platform Kit Rocker SHRK04DG			•		
30400138	Double Tier Platform Kit Waver SHWV02DG					•
30400139	Double Tier Platform Kit Rocker SHRK07AL	•				
30400140	Dimpled Mat For Rocker SHRK04DG			•		
30400142	Dimpled Mat For Waver SHWV02DG					•
30400144	Dimpled Mat For Rocker SHRK07AL	•	•		•	

Dimensions



OHAUS CORPORATION

7 Campus Drive
Suite 310
Parsippany, NJ 07054 USA

Tel: 800.672.7722
973.377.9000
Fax: 973.944.7177

www.ohaus.com

The management system governing the manufacture of this product is ISO 9001:2015 certified.

