



# High Speed Microplate Shaker



## *High Speed Shaking for up to 48 Microplates*

High Speed Microplate Shaker provides variable high speed shaking from 600 to 2500 rpm for microplates, deep well plates, and small diameter tubes up to 5 in. (12.7 cm) tall.

### *Unique Features Include:*

- Sturdy, adjustable top plate secures up to 48 microplates, 6 deep well plates or small tubes less than 5 in. (12.7 cm) tall up to 7 lb. (3.2 kg).
- For difficult to mix samples or to prevent overheating samples while shaking, the Pulse Feature can be adjusted to Pulse ON and Pulse OFF between 1 and 59 second intervals.
- Independent LEDs and Touchpad Control for Speed and Time allow you to accurately reproduce the exact settings every time.

# High Speed Microplate Shaker

Model	SHHSMPDG
Motion	Orbital, 0.14 in. / 3.6 mm
Speed Range	600 rpm to 2500 rpm
Timer	1 second to 160 hours
Control	Digital
Communication	RS-232 Interface
Capacity	48 microplates
Dimensions (H x L x W)	12.8 x 15.5 x 12 in / 32.5 x 39.4 x 30.5 cm
Tray Dimensions (L x W)	12.3 x 11 in / 31.1 x 27.9 cm
Net Weight	48.1 lb / 21.8 kg
Power	120V, 50/60Hz / 230V, 50/60Hz
Power Consumption	120 W
Working Environment	39 - 104 °F, 20% to 80% RH*, non-condensing / 4 - 40 °C, 20% to 80% RH*, non-condensing

\*RH = Relative Humidity

## Other Standard Features & Equipment

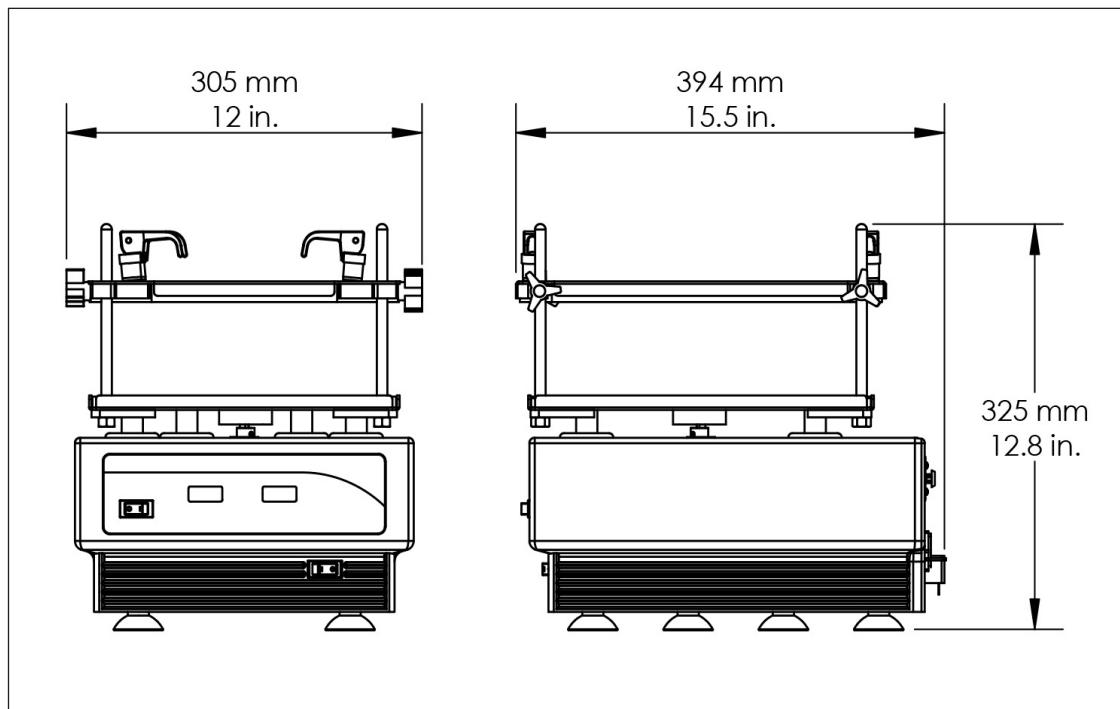
Die Cast Aluminum construction, programmable pulse feature with adjustments for pulse ON & pulse OFF between 1 & 59 seconds. Program timer to count down from set time and turn off when timer reaches zero or run in continuous mode and timer will count accumulated time until user turns it off.

## Compliance

- Product Safety: CAN/CSA C22.2 No. 61010-1, CAN/CSA C22.2 No. 61010-2-051, UL 61010-1
- Electromagnetic Compatibility: ICES-003 Class A, FCC Part 15 Class A
- Compliance Marks: TÜV SÜD

## Dimensional Drawings

SHHSMPDG



80776573\_E 20200714 © Copyright OHAUS Corporation

**OHAUS CORPORATION**  
 \*7 Campus Drive  
 Suite 310  
 Parsippany, NJ 07054 USA

Tel: 800.672.7722  
 973.377.9000  
 Fax: 973.944.7177

[www.ohaus.com](http://www.ohaus.com)

*With offices throughout  
 Europe, Asia and  
 Latin America*

\*ISO 9001:2015  
 Registered Quality  
 Management System

