



HT Lysing

Bead Mill Homogenizer



Provides Simple and Powerful Solutions for Rapid High-Throughput Grinding

The OHAUS HT (High Throughput) Lysing Bead Mill Lab Homogenizer offers efficient solutions for grinding, lysing, pulverizing, mixing and homogenizing sample preparations. High-throughput processing is ideal for multiple sample and tube configurations. Easy-to-load tray securely locks microplates, deep well plates or tubes in place. High-speed linear motion processes samples quickly. Maximize sample preparation no matter how difficult the task.

Standard Features Include:

- For high performance grinding, the HT Lysing Homogenizer is one of the most flexible models on the market. The built-in adjustable holder allows for easy processing of samples - no accessories needed.
- This versatile Homogenizer allows high throughput grinding, and is ideal for processing multiple tubes, microplates, deep-well plates, or any sample container that fits in the 10.2x12.7x6.4 cm holder.
- Take the guesswork out of sample preparation. Five preset programs optimized for speed and time to process the most common samples, including bacteria, fungi, plant, and animal tissue easily.

HT Lysing Bead Mill Homogenizer

Model	HOHTDG
Speed Range	300 to 1600 rpm (1 rpm increments)
Motion	Reciprocal, 31 mm
Timer	1 second to 10 minutes (1 second increments)
Program 1	5 minutes @ 1500 rpm
Program 2	2 minutes @ 1500 rpm
Program 3	3 minutes @ 1300 rpm
Program 4	4 minutes @ 1500 rpm
Program 5	1 minute @ 1600 rpm
Capacity	1 deep well plate, 4 microplates, or any sample matrix that can fit in the 10.2 × 12.7 × 6.4 cm adjustable holder
Maxamim Capacity	300 g
Working Environment	41°F – 104°F / 5°C – 40°C, 20% – 85% RH, non-condensing
Dimensions (L × W × H)	17.5 × 11.3 × 20.4 in / 44.6 × 28.6 × 51.8 cm
Net Weight	59 lb / 26.8 kg
Ship Weight	84 lb / 38 kg

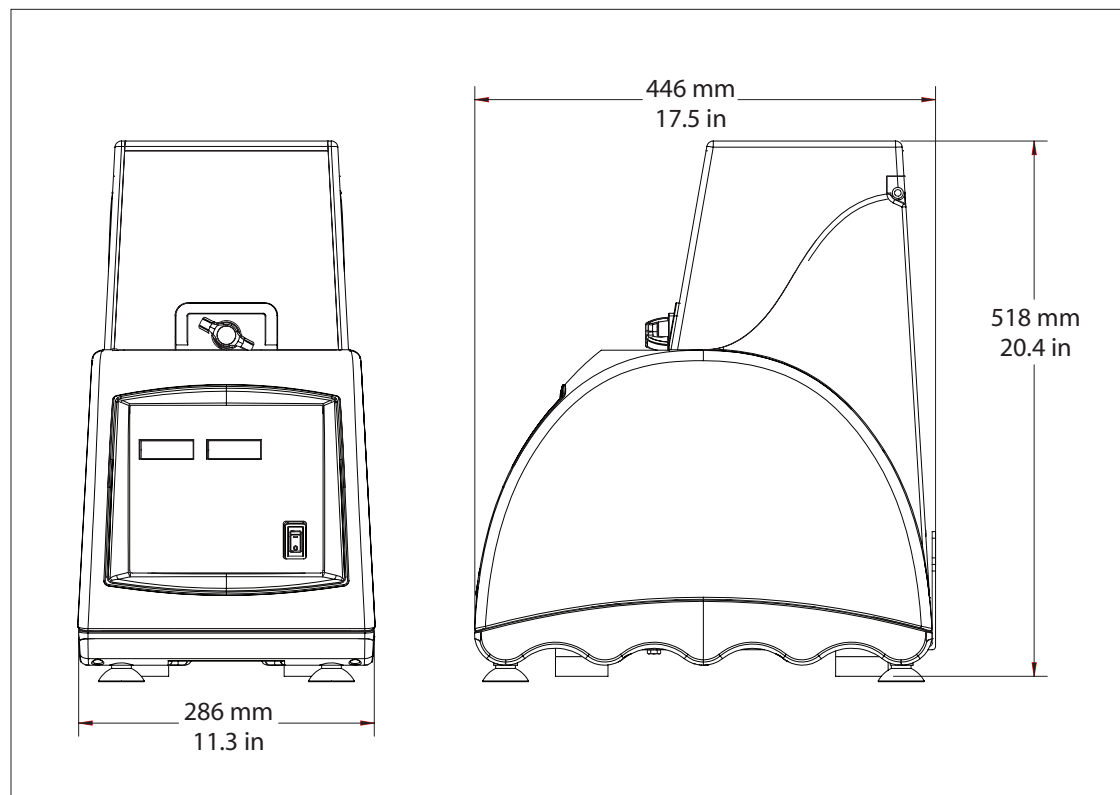
Compliance

- **Product Safety:** EN 61010-1, EN 61010-2-051, CAN/CSA C22.2 61010-1, CAN/CSA-C22.2 61010-2-051, UL 61010-1
- **Electromagnetic Compatibility:** EN/IEC 61326-1, ICES-003, FCC Part 15

Accessories

White, Bacteria, 2 mL skirted tube, DNase/RNase free, 100 µm Zirconium Beads, 100/box	30391402
Yellow, Yeast, 2 mL skirted tube, DNase/RNase free, 400 µm Zirconium Beads, 100/box	30391404
Blue, Fungi, 2 mL skirted tube, DNase/RNase free, 800 µm Zirconium Beads, 100/box	30391405
Orange, Soft Sample, 2 mL skirted tube, DNase/RNase free, 1.4 mm Zirconium Beads, 100/box	30391406
Green, Plant, 2 mL skirted tube, DNase/RNase free, 3 mm Zirconium Beads, 100/box	30391408
Red, Animal Tissue, 2 mL skirted tube, DNase/RNase free, 3 mm Stainless Steel Grinding Balls, 100/box	30391409
Brown, Environmental, 2 mL skirted tube, DNase/RNase free, 100 µm /800 µm/3 mm Zirconium Beads, 100/box ...	30391410
Tube Rack, 25 × 2 ml Tubes, 2 per pack	30391431
Sample Tube Kit, 14 Tubes; 2 each of White, Yellow, Blue, Orange, Green, Red, and Brown	30391433

Dimensions



80775228_B 20190702 © Copyright OHAUS Corporation

OHAUS CORPORATION
7 Campus Drive
Suite 310
Parsippany, NJ 07054 USA

Tel: 800.672.7722
973.377.9000
Fax: 973.944.7177

www.ohaus.com

*The management system
governing the manufacture
of this product
is ISO 9001:2015 certified.*

