



GUARDIAN™ 3000

Hotplate Stirrers



Affordable Digital Hotplate Stirrers Designed for Safety, Powerful Stirring and Fast Heating

OHAUS Guardian 3000™ Hotplate Stirrers are designed for economical heating and stirring in all laboratory settings. The bright LCD display includes easy-to-read temperature and speed settings, intuitive icons and a prominent hot top indicator that lights up when the heater is above 40°C. Select from three plate sizes to suit your application. All models can be used with the optional temperature probe for precise temperature control of the sample.

Unique Features:

- Industry leading safety at affordable prices. Guardian 3000 units offer safety, controlled heating and powerful stirring for general laboratory use - all at a competitive price point.
- SafetyHeat™ protects the lab. An industry-leading early detection system uses two independent safety controls to monitor the electronics and stop heating before an overtemperature condition occurs.
- Designed to last - the rugged metal housing has a spill-resistant design for long life in the lab under harsh conditions. The smooth, chemical-resistant ceramic top makes for easy clean ups.

GUARDIAN™ 3000 Hotplate Stirrers

Specifications

Model	e-G31HS04C	e-G31HS07C	e-G31HSRDS
Function	Heating and Stirring	Heating and Stirring	Heating and Stirring
Top Plate Size	4 x 4 in 10.2 x 10.2 cm	7 x 7 in 17.8 x 17.8 cm	5.3 in diameter 13.5 cm diameter
Speed Range	80 rpm to 1600 rpm		
Speed Stability*	+/-2%		
Temperature Range	Ambient + 5°C – 500°C		Ambient + 5°C – 380°C
Temperature Stability*	+/-3% Plate, below 100°C +/-2°C and +/-2% Probe, below 100°C +/-2°C		
Temperature Calibration	1 Plate and 1 Probe		
Control	Digital		
Display	Backlit LCD for Temperature and Speed		
Capacity	15 L		
Top Plate Material	Ceramic		Ceramic Coated Stainless Steel
Dimensions (H x L x W)	4.3 x 10.4 x 6.4 in 11.0 x 26.4 x 16.3 cm	4.4 x 12.5 x 8.8 in 11.2 x 31.8 x 22.3 cm	4.0 x 10.4 x 6.4 in 10.1 x 26.4 x 16.3 cm
Net Weight	5.5 lb. / 2.5 kg	8.6 lb. / 3.9 kg	5.5 lb. / 2.5 kg
Power	100V-120V ~5A 50/60Hz 220V-240V ~4A 50/60Hz	100V-120V ~10A 50/60Hz 220V-240V ~7A 50/60Hz	100V-120V ~5A 50/60Hz 220V-240V ~4A 50/60Hz
Power Consumption	550W (120V) 550W (230V)	1050W (120V) 1050W (230V)	550W (120V) 550W (230V)
Working Environment	41°F – 104°F, 80 % RH, non-condensing / 5°C – 40°C, 80% RH, non-condensing		

* Conditions permitting. Variations in temperature and speed measurement processes, vessel, ambient and sample will impact actual performance. To improve temperature accuracy of the system use the Single Point Calibration feature.

GUARDIAN 3000	
Application Modes	Boiling Liquids, Water/Oil Bath Preparation, Sample and Solution Preparation, Dissolving Buffers and Reagents, Preparing Media, Concentrating Samples
Display	Backlit LCD Display for temperature and speed, green indicator lights when unit is heating and stirring, prominent hot top indicator light, probe in use icon, Single Point Calibration icon
Operation	Stirring from 80 to 1600 rpm, temperature range of ambient +5°C to 500°C (ceramic top) or 380°C (ceramic coated stainless steel top), power cord (included), stirring models include one PTFE coated stir bar
Construction	Durable metal housing, PET front panel, control knobs, ON/OFF switch for heater disconnect, built-in support rod holder, easy to clean ceramic or ceramic coated stainless steel tops
Design Features	Hot top indicator light to protect user, green indicator lights illuminate when unit is heating and stirring, temperature probe connector for use with optional temperature probe

GUARDIAN™ 3000 Hotplate Stirrers

Accessories

Item No.	Description	e-G31HS04C	e-G31HS07C	e-G31HSRDS
30500570	Base Plate 135 mm			●
30500571	Handles for Base Plate			●
30500572	Sectional Block 12 mm Vials			●
30500573	Sectional Block 15 mm vials			●
30500574	Sectional Block 17 mm Vials			●
30500575	Sectional Block 21 mm Vials			●
30500576	Sectional Block 28 mm Vials			●
30500577	Sectional Block 12 mm Test Tubes			●
30500578	Sectional Block 16 mm Test Tubes			●
30500579	Sectional Block 20 mm Test Tubes			●
30500580	Sectional Block 25 mm Test Tubes			●
30500581	Uni Block 12 mm Vials			●
30500582	Uni Block 15 mm vials			●
30500583	Uni Block 17 mm Vials			●
30500584	Uni Block 21 mm Vials			●
30500585	Uni Block 28 mm Vials			●
30500586	Uni Block 12 mm Test Tubes			●
30500587	Uni Block 16 mm Test Tubes			●
30500588	Uni Block 20 mm Test Tubes			●
30500589	Uni Block 25 mm Test Tubes			●
30392233**	Clamp, Specialty, Rod, CLS-RODS			●
30500590	Temperature Probe 20 cm S/S	●	●	●
30500591	Temperature Probe 20 cm PTFE	●	●	●
30500592	Temperature Probe 25 cm S/S	●	●	●
30500593	Temperature Probe 25 cm PTFE	●	●	●
30500597	Vessel Clamp	●	●	●
30500598	Stir Bar Retriever	●	●	●
30392314	Clamp, Specialty, Column, CLS-COLMNSS	●	●	●
30392315	Clamp, Specialty, Column, CLS-COLMNSM	●	●	●
30392316	Clamp, Specialty, Column, CLS-COLMNSL	●	●	●
30392317	Clamp, Specialty, Column, CLS-COLMNSX	●	●	●
30392318	Clamp, Specialty, Nester, CLS-NESTXS	●	●	●
30400147	Spinbar 2.5 cm PTFE	●	●	●
30400148	Spinbar 3.8 cm PTFE	●	●	●
30400149	Spinbar 7 cm PTFE	●	●	●
30400150	Spinbar 10 cm with Pivot Ring PTFE	●	●	●
30692826	Holder Kit Thermometer e-G31	●	●	●
30726783*	Spinbar with a Pivot 3.8 cm PTFE	●	●	●

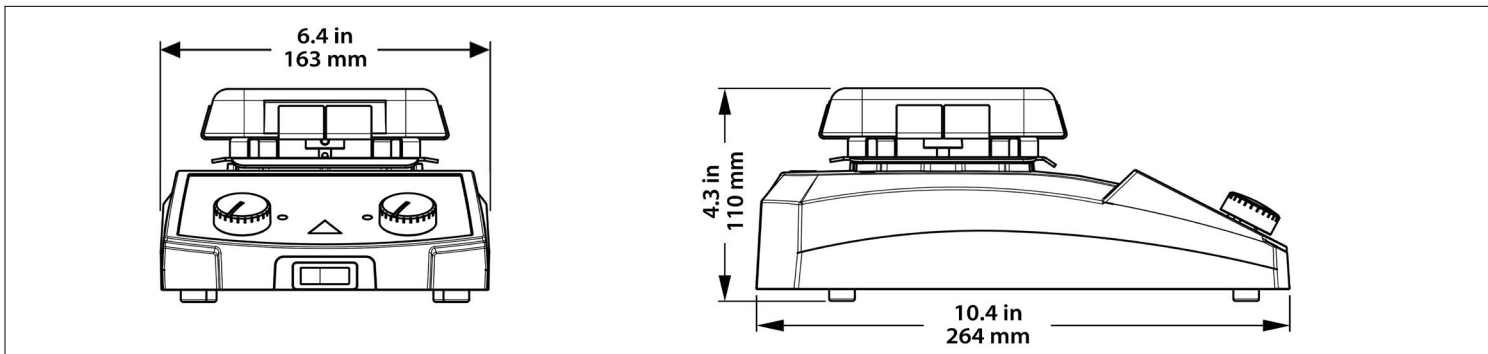
*30726783 pack of 5 spinbars

**30392233 is for use with the 30500570 Base Plate only

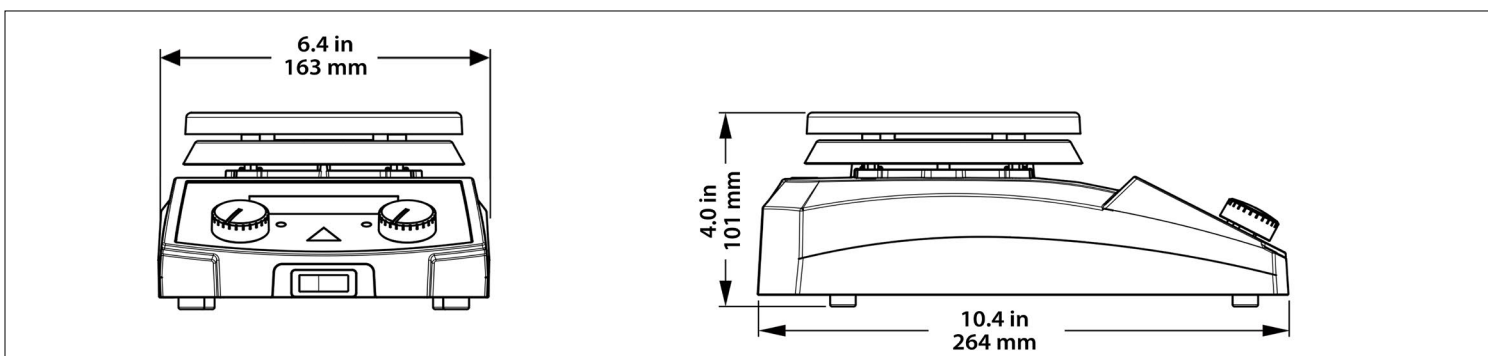
GUARDIAN™ 3000 Hotplate Stirrers

Outline Dimensions

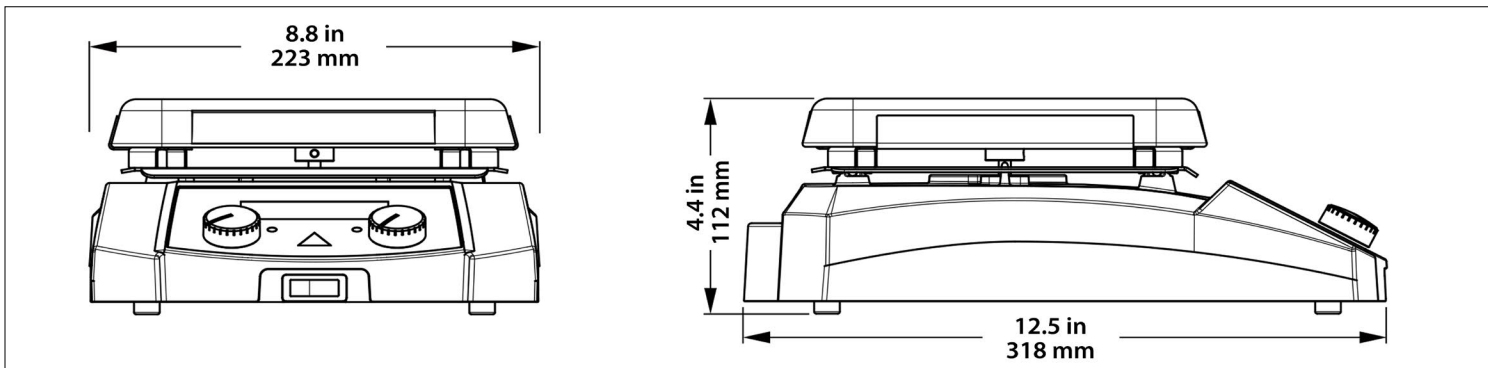
e-G31HS04C



e-G31HSRDS



e-G31HS07C



Other Features and Equipment

Green indicator lights when unit is heating and stirring with simple control knobs for easy temperature and speed adjustments, one PTFE coated stir bar, ON/OFF switch for heater disconnect, built-in support rod holder.

Compliance

- **Product Safety:** CE, TUV TÜV SÜD certified to CAN/CSA C22.2 61010-1; CAN/CSA C22.2 61010-2-010; CAN/CSA C22.2 61010-2-051; UL 61010-1; UL 61010-2-010; UL 61010-2-051
- **Electromagnetic Compatibility:** Canada ICES-003 Class A; FCC Part 15 Class A
- **Other:** IP21

OHAUS CORPORATION

7 Campus Drive
Suite 310
Parsippany, NJ 07054 USA

Tel: 800.672.7722
973.377.9000
Fax: 973.944.7177

www.ohaus.com

The management system governing the manufacture of this product is ISO 9001:2015 certified.

