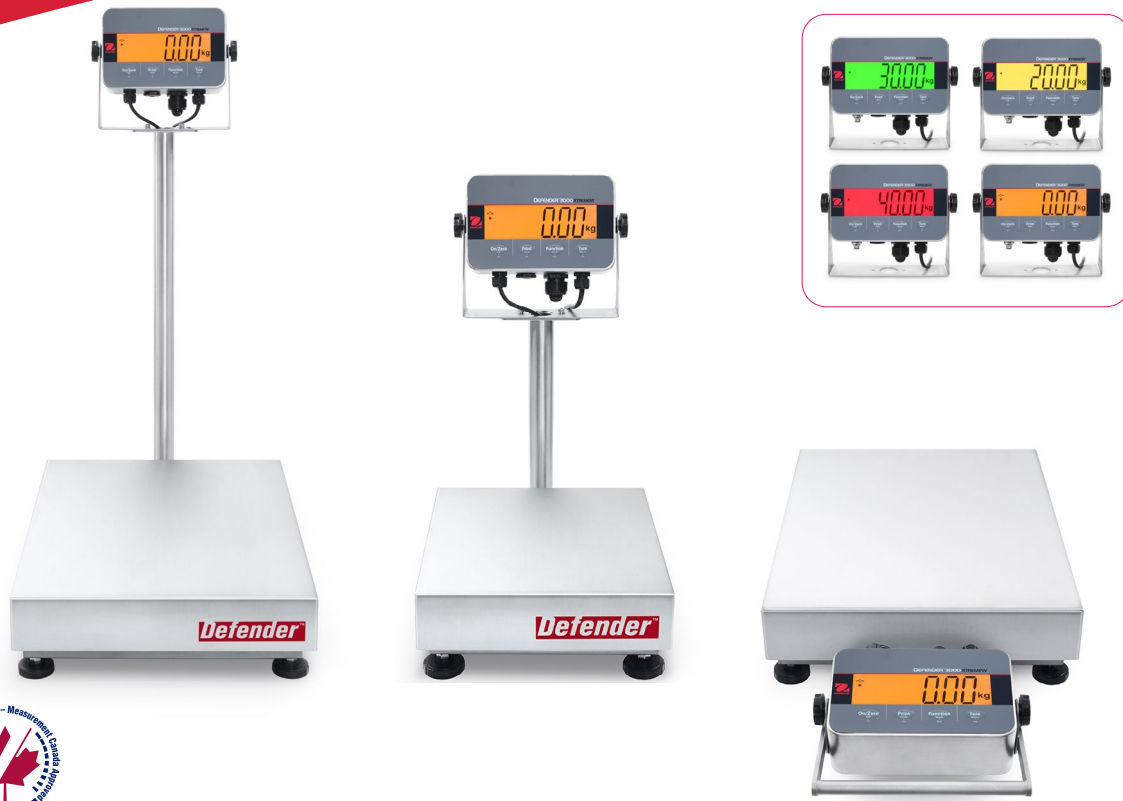




DEFENDER® 3000

Washdown Bench Scales



Counting function is
not legal-for-trade

Stainless Steel Bench Scales for Basic Industrial Washdown Applications

The Defender 3000 Washdown Bench Scales are ideal for general weighing, simple counting and checkweighing applications in damp environments, or when washdown cleaning is required. The Defender 3000 Series features a simple, yet rugged, stainless steel design and IP66 stainless steel indicator with tactile keys, multicolor backlit LCD display, AC or standard rechargeable battery operation and flexible mounting capabilities.

Unique Features:

- Results are clearly shown using the large, bright backlit LCD display. In Checkweighing mode display changes color (yellow/green/red) to alert when within the target weight range.
- This tough industrial scale features a 304-stainless steel platform, frame, column and IP67 load cell. Indicator features an IP66 protected 304-stainless steel housing and mounting bracket.
- Features software for Parts Counting, Checkweighing and Totalization. Includes RS232 with optional second port USB Device or Ethernet for printing or data connectivity.

DEFENDER® 3000 Washdown Bench Scales

Specifications

Column Mount Bench Scales

| Model | i-D33XW15C1R6 | i-D33XW30C1R6 | i-D33XW75C1R6 | i-D33XW75C1L7 |
|--|--|--|---|---|
| Capacity x Default Readability | 15 kg x 2 g 30 lb x 0.005 lb 480 oz x 0.1 oz | 30 kg x 5 g 60 lb x 0.01 lb 960 x 0.2 oz | 75 kg x 10 g 150 lb x 0.02 lb 2,400 oz x 0.5 oz | 75 kg x 10 g 150 lb x 0.02 lb 2,400 oz x 0.5 oz |
| Capacity x Certified/Approved Readability | 15 kg x 5 g 30 lb x 0.01 lb 480 oz x 0.2 oz | 30 kg x 10 g 60 lb x 0.02 lb 960 oz x 0.5 oz | 75 kg x 50 g 150 lb x 0.05 lb 2,400 oz x 1 oz | 75 kg x 50 g 150 lb x 0.05 lb 2,400 oz x 1 oz |
| Maximum Displayed Resolution | 1:7,500 | 1:6,000 | 1:7,500 | 1:7,500 |
| Linearity/Repeatability | ±1d | | | |
| Maximum Certified Resolution | 1:3,000 | | | |
| Indicator | 304 stainless steel indicator | | | |
| Column | 330 mm / 13 in stainless steel | | | 680 mm / 26.8 in stainless steel |
| Base Construction | Stainless steel removable weighing platform with stainless steel frame, silicon sealed IP67 stainless steel loadcell | | | |
| Safe Overload Capacity | 150% of maximum capacity | | | |
| Stabilization Time | Within 1 second | | | |
| Operating Temperature Range | 14°F to 104°F / -10°C to 40°C | | | |
| Scale Dimensions (A x B x C x D x E x F) | 355 x 305 x 121.8 x 75 x 541.6 x 481.9 mm 14 x 12 x 4.8 x 3 x 21.3 x 19 in | | | 550 x 420 x 134 x 80 x 896.1 x 685.6 mm 21.7 x 16.5 x 5.3 x 3.1 x 35.3 x 27 in |
| Shipping Dimensions (L x W x H) | 642 x 497 x 212 mm 25.3 x 19.6 x 8.3 in | | | 857 x 564 x 225 mm 33.7 x 22.2 x 8.9 in |
| Approx. Net Weight | 12.3 kg | | | 19.2 kg |
| Approx. Shipping Weight | 15.3 kg | | | 23.3 kg |

| Model | i-D33XW150C1L7 | i-D33XW150C1X7 | i-D33XW300C1X7 |
|--|--|---|-----------------------------------|
| Capacity x Default Readability | 150 kg x 20 g 300 lb x 0.05 lb 4,800 oz x 1 oz | 150 kg x 20 g 300 lb x 0.05 lb 4,800 oz x 1 oz | 300 kg x 50 g 600 lb x 0.1 lb |
| Capacity x Certified/Approved Readability | 150 kg x 50 g 300 lb x 0.1 lb | 150 kg x 50 g 300 lb x 0.1 lb | 300 kg x 100 g 600 lb x 0.2 lb |
| Maximum Displayed Resolution | 1:7,500 | | 1:6,000 |
| Linearity/Repeatability | ±1d | | |
| Maximum Certified Resolution | 1:3,000 | | |
| Indicator | 304 stainless steel indicator | | |
| Column | 680 mm / 26.8 in stainless steel | | |
| Base Construction | Stainless steel removable weighing platform with stainless steel frame, silicon sealed IP67 stainless steel loadcell | | |
| Safe Overload Capacity | 150% of maximum capacity | | |
| Stabilization Time | Within 1 second | | |
| Operating Temperature Range | 14°F to 104°F / -10°C to 40°C | | |
| Scale Dimensions (A x B x C x D x E x F) | 550 x 420 x 134 x 80 x 896.1 x 685.6 mm 21.7 x 16.5 x 5.3 x 3.1 x 35.3 x 27 in | 650 x 500 x 150 x 90 x 894.6 x 784.6 mm 25.6 x 19.7 x 5.9 x 3.5 x 35.2 x 30.9 in | |
| Shipping Dimensions (L x W x H) | 857 x 564 x 225 mm 33.7 x 22.2 x 8.9 in | 1,022 x 687 x 247 mm 40.2 x 27 x 9.7 in | |
| Approx. Net Weight | 19.2 kg | 31.8 kg | |
| Approx. Shipping Weight | 23.3 kg | 35.3 kg | |

DEFENDER® 3000 Washdown Bench Scales

Specifications

Front Mount Bench Scales

| Model | i-D33XW15C1R5 | i-D33XW30C1R5 | i-D33XW75C1R5 | i-D33XW75C1L5 |
|--|---|--|---|--|
| Capacity x Default Readability | 15 kg x 2 g 30 lb x 0.005 lb 480 oz x 0.1 oz | 30 kg x 5 g 60 lb x 0.01 lb 960 x 0.2 oz | 75 kg x 10 g 150 lb x 0.02 lb 2,400 oz x 0.5 oz | |
| Maximum Displayed Resolution | 1:7,500 | 1:6,000 | 1:7,500 | |
| Linearity/Repeatability | ±1d | | | |
| Capacity x Certified/Approved Readability | 15 kg x 5 g 30 lb x 0.01 lb 480 oz x 0.2 oz | 30 kg x 10 g 60 lb x 0.02 lb 960 oz x 0.5 oz | 75 kg x 50 g 150 lb x 0.05 lb 2,400 oz x 1 oz | |
| Maximum Certified Resolution | 1:3,000 | | | |
| Indicator | 304 stainless steel indicator | | | |
| Mount | 304 stainless steel front-mount bracket with handle | | | |
| Base Construction | Stainless steel removable weighing platform with stainless steel frame, silicon sealed IP67 stainless steel loadcell | | | |
| Safe Overload Capacity | 150% of maximum capacity | | | |
| Stabilization Time | Within 1 second | | | |
| Operating Temperature Range | 14°F to 104°F / -10°C to 40°C | | | |
| Scale Dimensions (A x B x C x D x E x F) | 355 x 305 x 121.8 x 75 x 130 x 645.5 mm 14 x 12 x 4.8 x 3 x 5.1 x 25.4 in | | | 550 x 420 x 134 x 80 x 132.9 x 842 mm 21.7 x 16.5 x 5.3 x 3.1 x 5.2 x 33.1 in |
| Shipping Dimensions (L x W x H) | 857 x 564 x 225 mm 33.7 x 22.2 x 8.9 in | | | 1,022 x 687 x 247 mm 40.2 x 27 x 9.7 in |
| Approx. Net Weight | 11.9 kg | | | 18.1 kg |
| Approx. Shipping Weight | 14.3 kg | | | 22.2 kg |

| Model | i-D33XW150C1L5 | i-D33XW150C1X5 | i-D33XW300C1X5 |
|--|---|--|-----------------------------------|
| Capacity x Default Readability | 150 kg x 20 g 300 lb x 0.05 lb 4,800 oz x 1 oz | | 300 kg x 50 g 600 lb x 0.1 lb |
| Maximum Displayed Resolution | 1:7,500 | | 1:6,000 |
| Linearity/Repeatability | ±1d | | |
| Capacity x Certified/Approved Readability | 150 kg x 50 g 300 lb x 0.1 lb | | 300 kg x 100 g 600 lb x 0.2 lb |
| Maximum Certified Resolution | 1:3,000 | | |
| Indicator | 304 stainless steel indicator | | |
| Mount | 304 stainless steel front-mount bracket with handle | | |
| Base Construction | Stainless steel removable weighing platform with stainless steel frame, silicon sealed IP67 stainless steel loadcell | | |
| Safe Overload Capacity | 150% of maximum capacity | | |
| Stabilization Time | Within 1 second | | |
| Operating Temperature Range | 14°F to 104°F / -10°C to 40°C | | |
| Scale Dimensions (A x B x C x D x E x F) | 550 x 420 x 134 x 80 x 132.9 x 842 mm 21.7 x 16.5 x 5.3 x 3.1 x 5.2 x 33.1 in | 650 x 500 x 150 x 90 x 133 x 941 mm 25.6 x 19.7 x 5.9 x 3.5 x 5.2 x 37 in | |
| Shipping Dimensions (L x W x H) | 1,022 x 687 x 247 mm 40.2 x 27 x 9.7 in | 1,022 x 687 x 247 mm 40.2 x 27 x 9.7 in | |
| Approx. Net Weight | 18.1 kg | 30.8 kg | |
| Approx. Shipping Weight | 22.2 kg | 34.3 kg | |

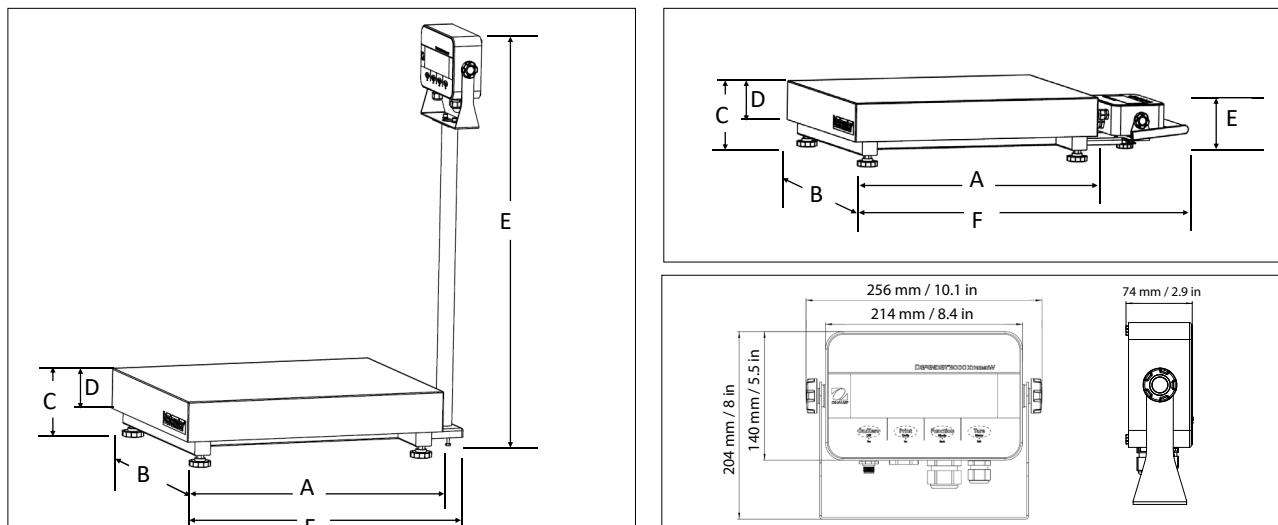
DEFENDER® 3000 Washdown Bench Scale

Specifications

Indicator

| Model | i-DT33XW |
|--------------------|---|
| Construction | 304 stainless steel housing and mounting bracket |
| Protection | IP66 |
| Weighing Units | Kilogram, Gram, Pound, Ounce, Pound: Ounce |
| Application Modes | Weighing, Parts Counting, Checkweighing and Totalization |
| Display | 6-digit, 7-segment LCD display with multi-color backlight, 45 mm / 1.8 in high digits |
| Check Indicator | 3 color (red, green, yellow) backlight |
| Keyboard | 4 membrane function keys |
| Auto-zero Tracking | Off, 0.5 d, 1 d or 3 d |
| Zeroing Range | 2% or 100% of capacity |
| Interface | RS232 included Optional second port USB Device or Ethernet |
| Power | 100-240 VAC / 50/60 Hz Universal Power Supply, hardwired or standard internal rechargeable battery |
| Battery Life | Up to 100 hours continuous use with backlight off |
| Calibration | Zero, Span or 3 point-Linear |

Outline Dimensions



Compliance

- **Metrology:** NTEP (Indicator: CC 21-070, Platforms: CC 21-075); Measurement Canada (Indicator: NoA AM-6183, Platforms: NoA AM-6180) Class III
- **Product Safety:** UL61010-1; CAN/CSA C22.2 61010-1; IEC/EN 61010-1
- **Electromagnetic Compatibility:** FCC Part 15 Class A; Canada ICES-003 Class A; IEC/EN 61326-1 Class B, basic environments
- **Ingress Protection:** IEC 60529 – IP66 (for indicator), IEC 60529 – IP67 (for load cell)
- **Compliance Marks:** CSA, CE
- **Other:** WEEE, RoHS

Accessories

| | |
|--|----------|
| Ethernet Kit..... | 30429666 |
| USB Device Kit i-DT33 | 30699120 |
| Dust Cover (5) i-DT33..... | 30699121 |
| Wheel Kit, Defender Series (Max. load: 300 kg / 600 lb) | 30372146 |
| Wheel Kit Stainless Steel Defender Series (Max load: 600 kg / 1,200 lb) | 30616409 |
| Carrying Handle Kit Stainless Steel i-DT33..... | 30696600 |
| SF40A Printer | 30064202 |
| Cable RS232 i-DT33XW | 80500552 |

80776725_A 20220523 © Copyright OHAUS Corporation

OHAUS CORPORATION
7 Campus Drive
Suite 310
Parsippany, NJ 07054 USA

Tel: 800.672.7722
973.377.9000
Fax: 973.944.7177

www.ohaus.com

The management system governing the manufacture of this product is ISO 9001:2015 certified.

