

PA43 Technical Specifications

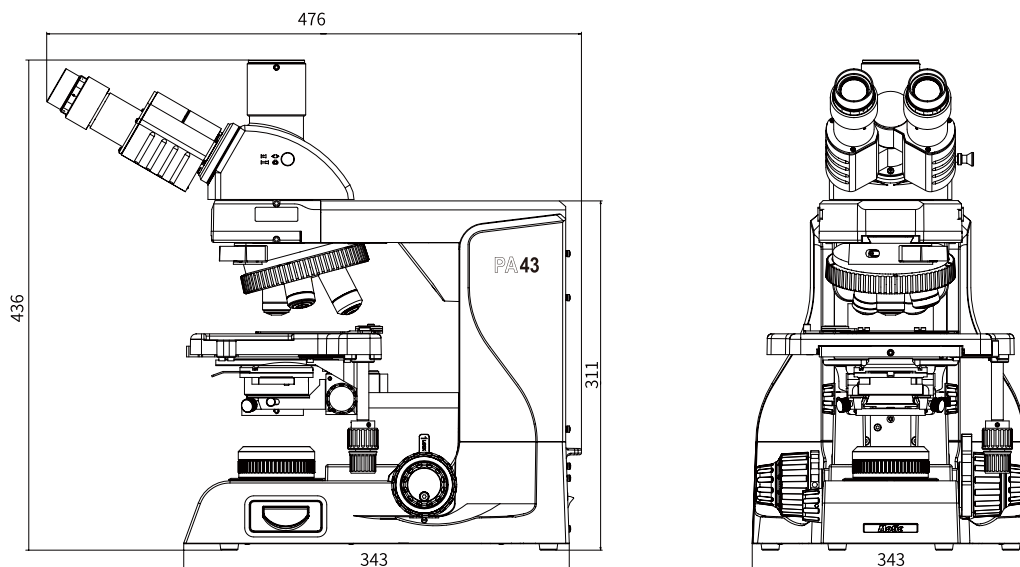


Name		Package 1 (PH)	Package 4 (PH-Turret)	Package 2 (Standard)	Package 3 (Pathology)
Stand		●	●	●	●
Observation Tube	Trinocular tube head	●	●	●	○
	Tilting trinocular tube head	○	○	○	●
Eyepiece	N-WF10X/22	●	●	●	●
Arm		●	●	●	●
Revolving Nosepiece	5-position nosepiece	●	●	●	●
EC-H Objective	CCIS EC-H Plan2X/0.05, WD=7.24	○	○	○	○
	CCIS EC-H Plan4X/0.1, WD=15.9	○	○	○	○
	CCIS EC-H Plan10X/0.25, WD=17.4	○	○	○	○
	CCIS EC-H Plan20X/0.45, WD=0.9	○	○	○	○
	CCIS EC-H Plan40X/0.65,WD=0.5	○	○	○	○
	CCIS EC-H Plan 60X/0.8, WD=0.35	○	○	○	○
	CCIS EC-H Plan100X/1.25 oil, WD=0.15	○	○	○	○
EC-H Phase Objective	CCIS EC-H PL Ph10X/0.25-Ph1, WD=17.4	○	○	○	○
	CCIS EC-H PL Ph20X/0.45-Ph2, WD=0.9	○	○	○	○
	CCIS EC-H PL Ph40X/0.65-Ph2, WD=0.5	○	○	○	○
	CCIS EC-H PL Ph100X/1.25oil-Ph3, WD=0.15	○	○	○	○
Plan UC Objective	Plan UC 2X/0.05, W.D=7.2mm	○	○	○	●
	Plan UC 4X/0.1, W.D=30.5mm	●	●	●	●
	Plan UC 10X/0.25, W.D=17.4mm	○	○	●	●
	Plan UC 20X/0.45, W.D=0.8mm	○	○	○	●
	Plan UC 40X/0.65, W.D=0.6mm	○	○	●	●
	Plan UC 60X/0.8, W.D=0.35mm	○	○	○	○
	Plan UC 100X/1.25 Oil, W.D=0.16mm	●	●	●	○
	Plan UC 100X/0.8, W.D=1.7mm	○	○	○	○
Phase Contrast Objective	Plan UC 10X/0.25, W.D=17.4mm	●	●	○	○
	Plan UC 20X/0.45, W.D=0.8mm	○	○	○	○
	Plan UC 40X/0.65, W.D=0.6mm	●	●	○	○
	Plan UC 100X/1.25 Oil, W.D=0.16mm	○	○	○	○
Condenser	N.A 0.9/1.25 Abbe condenser with slider slot	●	○	●	○
	Turret Condenser	○	●	○	○
	N.A.0.90/0.13 Swing In/Out Condenser	○	○	○	●
Stage	Rackless stage	●	●	●	●
Transmitted Illumination	Condenser (w/ field diaphragm)	●	●	●	●
Illumination	LED module (high color temperature)	●	●	●	●
	LED module (low color temperature)	○	○	○	○
	Halogen module	●	●	●	●

Name		Package 1 (PH)	Package 4 (PH-Turret)	Package 2 (Standard)	Package 3 (Pathology)
Adapter	0.5X	○	○	○	○
	0.65X	○	○	○	○
	1X	○	○	○	○
Phase & DF accessory	PH slider(Ph1)	●	○	○	○
	PH slider(Ph2)	○	○	○	○
	PH slider(Ph3)	○	○	○	○
	Dark field slider	○	○	○	○
	PH slider(Ph1 & Ph2)	○	○	○	○
	Phase centering telescope	●	●	○	○
Polarized accessories	Analyzer	○	○	○	○
	Polarizer	○	○	○	○
Filter	Yellow filter	○	○	○	○
	Green filter	○	○	○	○
	Didymium filter	○	○	○	○
	Blue filter	●	●	●	●
	Neutral density filter	○	○	○	○

“ ● ”Standard configuration includes, “ ○ ”Optional fittings.

PA43 Dimensions



Some images: Courtesy to Dr. Dong GH, Department of Pathology, Beijing Tiantan Hospital, Capital Medical University.
Professor Wang Tong, Cytogenetic/FISH laboratory, Lu Daopei hospital Group.