

QUICK START GUIDE EN

KURZANLEITUNG

DE

MODE D'EMPLOI RAPIDE

FR

GUÍA RÁPIDA

ES

ISTRUZIONI BREVI

IT

GUIA DE INÍCIO RÁPIDO

PT

BEKNOPTE HANDLEIDING

NL

memmert

WTB

| 6 | 11 | 15 | 24 | 35 | 50 |



www.memmert.com

D49014 - 02/2021

QUICK START GUIDE - ENGLISH

This guide provides a short overview of the operation of Memmert appliances as well as the safety regulations that have to be adhered to. This contains only basic initial information relevant for your appliance. For detailed descriptions of individual functions, please see your appliance's operating manual. Information about the appliance type, size and performance data can be found directly on the appliance's name plate. Detailed operating manuals for your appliances are available online at:

www.memmert.com/user-manuals

Always read the entire operating manual before working with the appliance!



Scan for detailed information!

SAFETY



⚠ WARNING

After removing covers, live parts may be exposed. Touching these can lead to an electric shock. Disconnect the mains plug before removing any covers. Work on the electrical system must only be performed by qualified electricians.



⚠ WARNING

Operating without a tempering medium can cause the appliance to overheat and pose a fire hazard. Do not operate the water bath without a tempering medium. Always observe the minimum fill level for the tray.



⚠ WARNING

When loading the appliance with an unsuitable load, poisonous or explosive vapours or gases may be produced. This could cause the appliance to explode, and persons could be severely injured or poisoned. The appliance may only be loaded with materials / test objects that do not emit any poisonous or explosive vapours when heated up.



⚠ WARNING

Depending on operation, the surfaces of the appliance and the chamber load may still be very hot after the appliance is switched off. Touching these surfaces can cause burns. Wear heat-resistant protective gloves or wait until the appliance cools down before touching.



⚠ CAUTION

Hot steam can build up inside the appliance. You may be scalded when opening the lid or coming into close contact with the surface of the water. Keep a safe distance away from the water's surface when opening the lid and when removing.



⚠ WARNING

The drain valve can become overheated while emptying the water bath. Touching its surface can cause burns. Use heat-resistant protective gloves to turn the drain valve on/off or let the tempering medium cool down first and empty the water bath when it has reached a lukewarm temperature.

Requirements of the operating personnel

The appliance may only be operated and maintained by persons who are of legal age and have been instructed accordingly. Personnel who are to be trained, instructed or who are undergoing general training may only work with the appliance under the continuous supervision of an experienced person. Repairs may only be performed by qualified electricians. The regulations in the separate service manual must be observed.

Changes and alterations

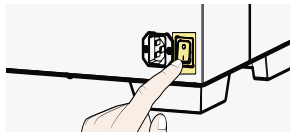
No unauthorised changes or alterations may be made to the appliance. No parts may be added or inserted which have not been approved by the manufacturer. Unauthorised changes or alterations result in the CE declaration of conformity losing its validity, and the appliance may no longer be operated. The manufacturer is not liable for any damage, danger or injuries that result from unauthorised changes or alterations, or from non-observance of the regulations in this manual.

Behaviour in case of malfunctions and irregularities

The appliance may only be used in a flawless condition. If you as the operator notice irregularities, malfunctions or damage, immediately take the appliance out of service and inform your superior.

Switching off the appliance in an emergency

Push the On/Off switch on the appliance and disconnect power plug. This disconnects the appliance from the power supply at all poles.



Applied directives and standards

► Directive 2014/30/EU amended

Directive of the council on the approximation of the laws of the member states relating to electromagnetic compatibility.

Standards complied with:

DIN EN 61326-1:2013-07

EN 61326-1:2013

► Directive 2014/35/EU amended

Directive of the council for harmonisation of the laws of member states relating to electrical equipment designed for use within certain voltage limits. Standards complied with:

DIN EN 61010-1:2011-07

EN 61010-1:2010

DIN EN 61010-2-010:2015-05

EN 61010-2-010:2014

Intended use

WTBxx

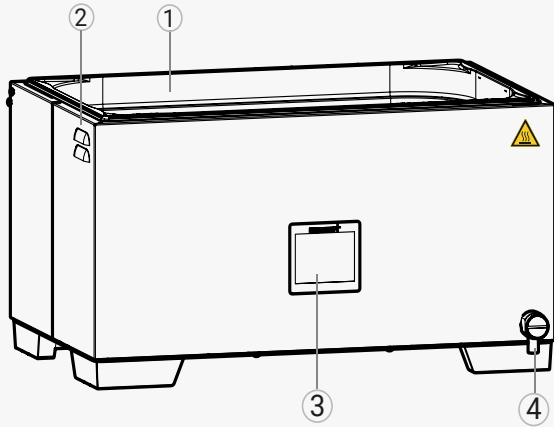
The Memmert waterbaths are intended for the indirect tempering of samples or materials. Water is meant to be used as the tempering medium. A wide variety of samples are tempered in a range from approx. 5°C above room temperature to 100 °C. This can be done in suitable vessels such as test tubes, Erlenmeyer flasks etc., or if the sample to be tempered is suitable, in direct contact with the tempering medium.

It is not possible to include all possible applications. Application is at the operator's discretion and under their responsibility.

Improper use

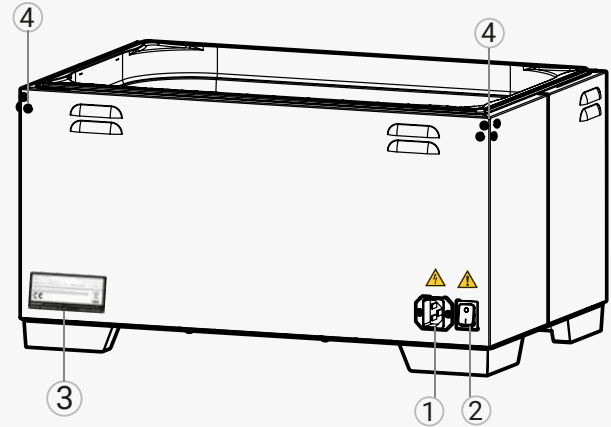
Any other use is improper and may result in hazards and damage. The appliance is not explosion-proof (does not comply with the German occupational health and safety regulation VBG 24). The appliance may only be loaded with materials and substances which cannot release any toxic or explosive vapours at the set temperature and which cannot explode, burst or ignite. The appliance may not be used for the drying, evaporation and burning-in of paints or similar materials, the solvents of which could form an explosive mixture when combined with air. If there is any doubt as to the composition of materials, they must not be loaded into the appliance. Potentially explosive gas-air mixtures must not form, neither in the working chamber nor in the direct vicinity of the appliance.

Appliance overview



- 1 Stainless steel tray
- 2 Cooling fins
- 3 Touch display 3.5"
- 4 Outlet valve

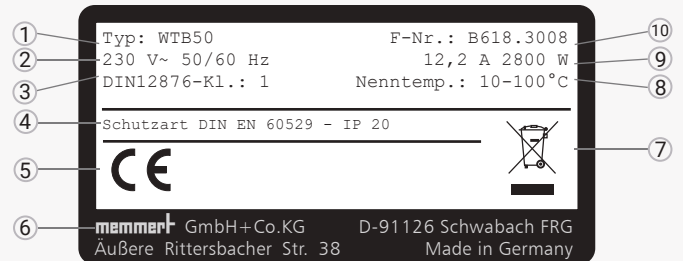
Connections and interfaces



- 1 Mains plug
- 2 Main switch
- 3 Name plate
- 4 Mounting option
Lid (optional accessory)

Designation (nameplate)

- 1 Type designation
- 2 Operating voltage
- 3 Applied standard
- 4 Degree of protection
- 5 CE conformity
- 6 Manufacturer address
- 7 Disposal note
- 8 Nominal temperature
- 9 Connection / power ratings
- 10 Appliance number



DELIVERY, TRANSPORT AND SETTING UP



⚠ WARNING

Condensation in the electrical components may cause short circuits. After transporting or storing the device under humid conditions, remove it from its packaging and let it ventilate for at least 24 hours in normal environmental conditions. Do not connect the device to the mains power during this time.



⚠ CAUTION

The appliance could fall over and injure you. If a lid is mounted, do not transport the appliance while it is open. Never tilt the appliance and only transport it empty and in upright position.



⚠ CAUTION

Because of the heavy weight of the appliance, you could injure yourself if you try to lift it. Observe the required number of people to carry equipment.



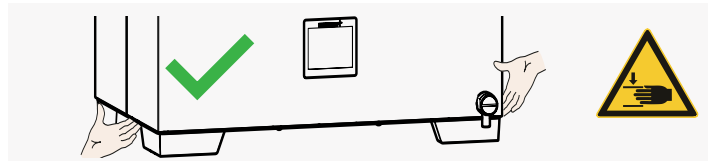
⚠ CAUTION

You may get your hands or feet squashed when transporting and installing the appliance. Wear protective gloves and safety boots. Only grasp the appliance below on the sides between the mounted adjustable feet.

< 50 L



50 L



Setting up



⚠ CAUTION

If the appliance is set up on an uneven surface, it can fall over and injure you or other people. Always place the appliance on an even, load-bearing and non-slip surface.



⚠ CAUTION

The surfaces of the appliance can overheat during operation and over-heat heat-sensitive surfaces in close proximity to the appliance. Always place the appliance on a heat-resistant surface and maintain the specified clearance around the appliance.

The distance between the wall and the rear of the appliance must be at least 15 cm. The clearance from the ceiling must not be less than 75 cm and the side clearance from walls or nearby appliances must not be less than 10 cm. Sufficient air circulation in the vicinity of the appliance must be guaranteed at all times.

Putting into operation

NOTICE

The first time the appliance is operated, it must not be left unattended until it has reached the steady state.

For connection, please observe the national regulations. Observe the connection and power ratings (see nameplate and technical data). Make sure to establish a safe PE conductor connection.

Place the power cable so that

- ▶ it does not represent a trip hazard
- ▶ it cannot come into contact with any hot parts
- ▶ it is easily accessible at all times and can be pulled off quickly, for example in case of interference or an emergency

FILLING AND EMPTYING THE APPLIANCE

Filling

NOTICE

Observe the following points before filling the water bath:

- ▶ Water bath may not be operated while empty.
- ▶ Check that the outlet valve is closed before filling.
- ▶ Observe the minimum fill level for the water bath.
- ▶ Observe the maximum filling level when filling and loading the water bath, which is marked by the notches in the water bath tray.

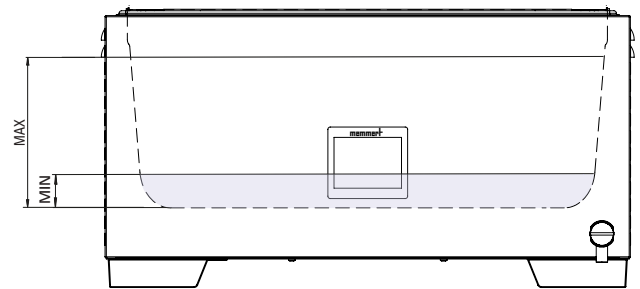
Large WTB	Filling level
6	min. 4 cm
11	
15	
24	min. 2 cm
35	
50	

Emptying

NOTICE

Observe the following points before emptying the water bath:

- ▶ Allow water cool down before draining.
- ▶ Outlet valve can overheat during operation, please observe safety instructions.
- ▶ Open outlet valve slowly to prevent water from leaking out uncontrolled.



SWITCHING ON AND OPERATION

Basic operation - Setting the temperature

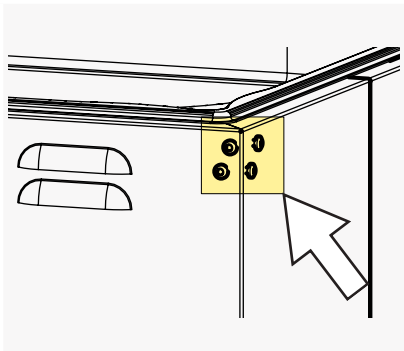
	PRESS to switch on	
	TEMPERATURE select	Set
	SCROLL to set and confirm	✓

Basic operation - Setting the CustomView

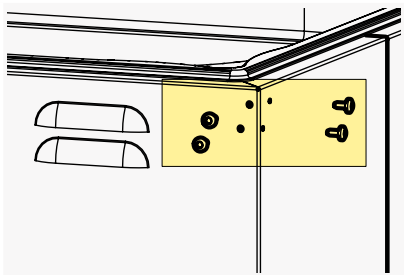
	SETTINGS select	
	CustomView select	
	TEMPERATURE & SET apply and confirm	✓

Lid assembly (accessory)

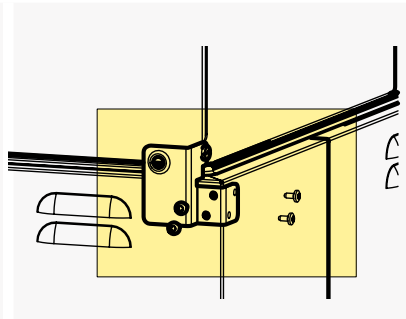
1. Loosen the screws on the fixing points (left and right) for the lid on the water bath.



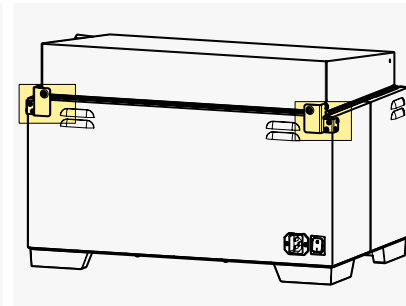
2. Remove screws and set aside.



3. Attach the mounting bracket to the lid and fix in place with the screws.



4. Tighten screws and check that the lid fits tightly.



DISPOSAL

This product is subject to the Directive 2012/19/EC on Waste Electrical and Electronic Equipment (WEEE) of the European Parliament and of the Council. This appliance has been brought to market after August 13th, 2005 in countries which have already integrated this directive into their national laws. It may not be disposed of in normal household waste. For disposal, please contact your dealer or the manufacturer. Any appliances that are infected, infectious or contaminated with materials hazardous to health are excluded from return. Please also observe all other regulations applicable in this context.



Note for Germany:

The appliance may not be left at public or communal recycling or collection points.