

IKA

designed for scientists

IKA myPlate

ENGLISH

	EU Declaration of conformity	3
	Explication of warning symbols	4
	/// Warning symbols	4
	/// General Symbols	4
	Safety instructions	4
	/// General information	4
	/// Device design	4
	/// Permissible medium / contaminants / side reactions	5
	/// Procedures during sample runs	5
	/// Accessories	5
	/// Power supply/Switching off the device	6
	/// For protection of the equipment	6
	Intended use	6
	/// Use	6
	/// Area of use (only indoors)	6
	Unpacking	6
	/// Unpacking	6
	/// Scope of delivery	6
	Assembly	7
	Operation	7
	Exchanging under layer photo	8
	Maintenance and cleaning	9
	Accessories	10
	Error codes	10
	Warranty	10
	Technical Data	11

Source language: German

EU Declaration of conformity

We declare under our sole responsibility that this product corresponds to the directives 2014/35/EU, 2006/42/EC, 2014/30/EU and 2011/65/EU and conforms with the following standards or other normative documents: EN 61010-1, EN 61010-2-051, EN 61326-1, EN 60529 and EN ISO 12100.

A copy of the complete EU Declaration of Conformity can be requested at sales@ika.com.





Explication of warning symbols

/// Warning symbols



DANGER

Indicates an (extremely) hazardous situation, which, if not avoided, will result in death, serious injury.



WARNING

Indicates a hazardous situation, which, if not avoided, can result in death, serious injury.



CAUTION

Indicates a potentially hazardous situation, which, if not avoided, can result in injury.



NOTICE

Indicates practices which, if not avoided, can result in equipment damage.



ATTENTION

Indicates the risks due to magnetism.

/// General Symbols



Position number

Indicates device components relevant to actions.



Correct / result

Indicates the correct execution or the result of an action step.



Wrong

Indicates the incorrect execution of an action step.



Note

Indicates steps of actions that require particular attention.



Safety instructions

/// General information

- › **Read the operating instructions in its entirety before using the device and follow the safety instructions.**
- › Keep the operating instructions in a place where it can be accessed by everyone.
- › Ensure that only trained staff work with the device.
- › Follow the safety instructions, guidelines, occupational health and safety and accident prevention regulations.
- ⓘ **Attention – Magnetism!**
- › Effects of the magnetic field have to be taken into account (e.g. data storage media, cardiac pacemakers ...).

/// Device design



Danger!

- › With substances capable of forming an explosive mixture, appropriate safety measures must be applied, e.g. working under a fume hood.
- › To avoid body injury and property damage, observe the relevant safety and accident prevention measures when processing hazardous materials.

Caution!

- › Device surface is partially made of glass:
 - Glass surface can be damaged by impact.
 - If glass surface is damaged it could cause injury, don't use the device anymore.
- › Use only the AC adapter supplied.
- › Set up the device in a spacious area on an even, stable, clean, non-slip, dry and fireproof surface.
- › The base plate must be clean and undamaged.
- › Check the device and accessories for damage before each use. Do not use damaged components.

/// Permissible medium / contaminants / side reactions

Danger!

- › Only process media that will not react dangerously to the extra energy produced through processing. This also applies to any extra energy produced in other ways, e.g. through light irradiation.

Warning!

- › Beware of hazards due to:
 - glass breakage,
 - incorrect container size,
 - overfilling of media,
 - unsafe condition of container.
- › Process pathogenic materials only in closed vessels under a suitable fume hood.
- › Please contact IKA if you have any questions.
- › Please consider any possible contaminations and unwanted chemical reactions.
- › It may be possible for wear debris from rotating accessory parts to reach the material being processed.
- › When using PTFE-coated magnetic bars, the following has to be noted: Chemical reactions of PTFE occur in contact with molten or solute alkali metals and alkaline earth metals, as well as with fine powders of metals in groups 2 and 3 of the periodic system at temperatures above 300 °C – 400 °C. Only elementary fluorine, chlorotrifluoride and alkali metals attack it; halogenated hydrocarbons have a reversible swelling effect.
(Source: Römpps Chemie-Lexikon and "Ulmann", Volume 19)

/// Procedures during sample runs

Warning!

- › Wear your personal protective equipment in accordance with the hazard category of the media to be processed. There may be a risk from:
 - splashing and evaporation of liquids.
 - ejection of parts.
 - release of toxic or combustible gases.
- › Reduce speed if:
 - medium splashes out of vessel because the speed is too high,
 - device is not running smoothly,
 - container moves on the base plate,
 - an error message is displayed.

/// Accessories

- › Safe operation is guaranteed only with the use of original IKA accessories.
- › Observe the operating instructions of the accessories.

/// Power supply/Switching off the device

Warning!

- › The device will automatically restart following any interruption to the power supply.
- › The outlet for the mains plug must be easily accessible.
- › The device can only be disconnected from the mains outlet by pulling out the power cord set or the connector plug.

/// For protection of the equipment

- › The device may only be opened by qualified and IKA approved experts.
- › Protect the device and accessories from bumps and impacts.
- › Keep the base plate clean.



Intended use

/// Use

- › The magnetic stirrer has been designed for mixing liquids.

/// Area of use (indoor use only)

- › Laboratories
- › Pharmacies
- › Universities
- › Schools

- › The device is suitable for all areas (EMC class A and B).
- › The safety of the user cannot be guaranteed:
 - if the device is operated with accessories that are not supplied or recommended by the manufacturer.
 - if the device is operated improperly or contrary to the manufacturer's specifications.
 - if the device or the printed circuit board are modified by third parties.



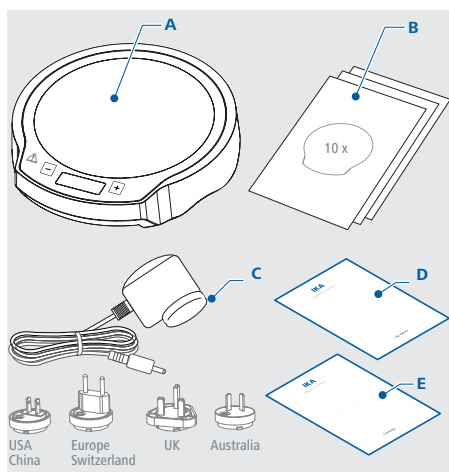
Unpacking

/// Unpacking

Unpack the device carefully. Any damage should immediately be reported to the carrier (mail, rail or freight forwarding company).

/// Scope of delivery

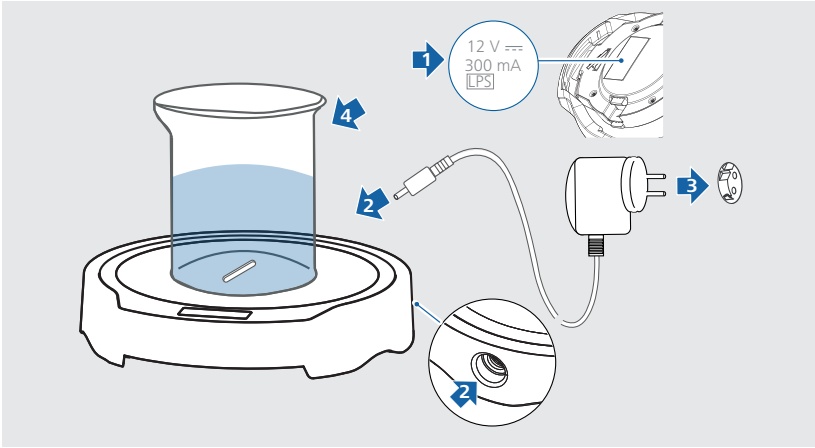
A	IKA myPlate
B	blank photo papers (10 x)
C	power supply unit with exchangeable adapters
D	user guide
E	warranty card



Assembly

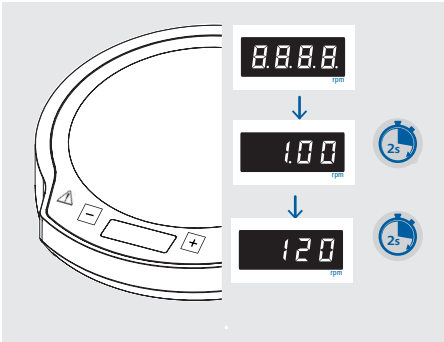
- › Observe the ambient conditions (temperature, humidity, etc.) listed under “Technical Data”.
- › Connect the device to a socket.

Place a magnetic rod in a vessel which is penetrable for magnetic field lines and fill the vessel with the medium to be processed. And then place the vessel on the center of the base plate.

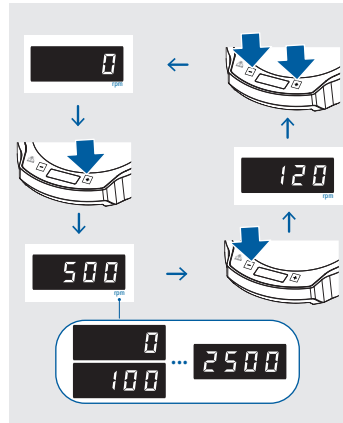


Operation

- › After connecting to the mains, the display shows all the segments displayed, the software version, and the speed set last time, at which the device runs then.



The set speed value might blink until the actual speed reaches it.



- › Touch “+” to increase the speed, “-” to lower the speed, and both of the keys to set the speed to “0”.

The setting range for the speed is from 0/100 rpm to 2500 rpm.

The set speed value is shown on the display.

⚠ Note!

When turn off and restart again, the device would run at the speed set last time.

Exchanging under layer photo

/// Exchanging under layer photo

The default under layer photo is white, and you may exchange it with your desired photo. To individualize your magnetic stirrer, print your desired photo via:

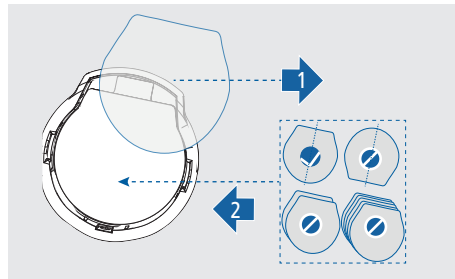
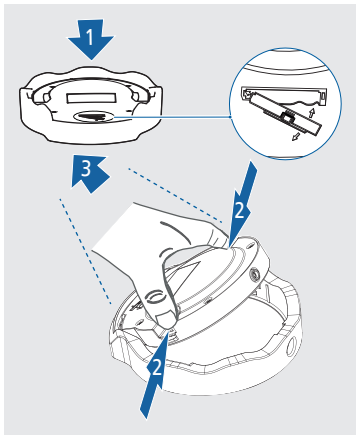
https://www.ika.com/customize_it/ika_myplate

Photo exchanging procedure

- › Place the device upside down. Grip and press the two locking knobs on both sides of the stirring part. Lever up the stirring part.
- › Exchange the photo.

 **Note!**

Pay attention to the correct orientation when exchanging the photo!
Never allow to apply 2 or more photos at the same time.

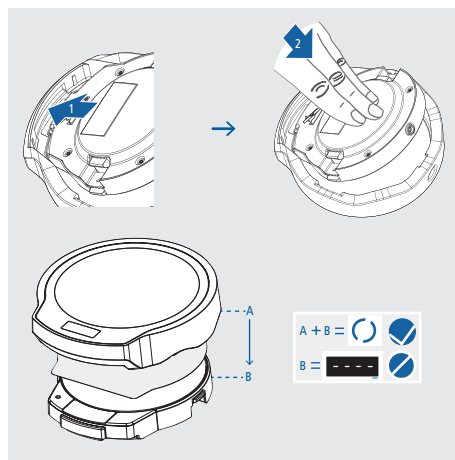


- › Assemble the stirring part back to the external part.

 **Note!**

The beak of the stirring part must be inserted into the concave of the external part firstly and then press it into the external part. The locking knob will lock automatically.

Never allow to run the device without assembling with the external part, otherwise the device will not run but only show "----" as there is an ambient light sensor integrated in the stirring part.



Maintenance and cleaning



/// Proper handling

The device is maintenance-free. It is only subject to the natural wear and tear of components and their statistical failure rate.

Cleaning:

Remove the device from the mains before cleaning.

Dirt	Cleaning agent
Dyes	Isopropyl alcohol
Building materials	Water containing detergent / isopropyl alcohol
Cosmetics	Water containing detergent / isopropyl alcohol
Food	Water containing detergent
Fuels	Water containing detergent
Other materials	Please consult IKA

- > Wear protective gloves during cleaning the devices.
- > Electrical devices may not be placed in the cleansing agent for the purpose of cleaning.
- > Do not allow moisture to get into the device when cleaning.
- > Before using another than the recommended method for cleaning or decontamination, the user must ascertain with IKA that this method does not destroy the device.

Ordering spare parts:

When ordering spare parts, please indicate:

- > device type.
- > serial number, see product label (bottom of product).
- > line item and description of spare part, see: www.ika.com.
- > software version (upon device starting up).

Repairs:

Please only send devices in for repair that have been cleaned and are free of materials which might present health hazards.

For this, use the "certificate of compliance" form which you can obtain from IKA or can download a version for printing from the IKA website at www.ika.com.

If your appliance requires repair, return it in its original packaging. Storage packaging is not sufficient when sending the device - also use appropriate transport packaging.

Accessories

/// An overview

Magnetic stir bar:

- › TRIKA® 25
- › IKAFLON® 20
- › IKAFLON® 30
- › RSE stir bar remover

See more accessories on www.ika.com.



Error codes

/// Troubleshooting correctly

The stirrer displays an error code; following is an overview of possible errors and solutions. Proceed as follows in such cases:

- › Turn off the device.
- › Carry out corrective measures.
- › Restart the device.

Error code | Causes | Effect | Solutions

E 4 - Motor control is unavailable

Causes	› motor blocked or overloaded
Effect	› motor switched off
Solutions	› reduce load torque or use smaller magnetic rods › reduce target speed

If the actions described fails to resolve the fault or another error code is displayed then take one of the following steps:

- › contact the service department.
- › send the device for repair, including a short description of the fault.

Warranty

/// Regulations

In accordance with IKA warranty conditions, the warranty period is 24 months. For claims under the warranty please contact your local dealer. You may also send the device direct to our factory, enclosing the delivery invoice and giving reasons for the claim. You will be liable for freight costs.

The warranty does not cover worn out parts, nor does it apply to faults resulting from improper use, insufficient care or maintenance not carried out in accordance with the instructions in this operating manual.

Technical data

/// myPlate in detail



General data	
Nominal voltage	12 VDC / 300 mA
Power input	4 W
Power input standby	1 W
Number of stirring positions	1
Stirring quantity max. (H ₂ O)	1.5 l
Motor rating output	2 W
Direction of rotation	anticlockwise
Speed display	LED
Speed setting	Touch key
Speed range	0 / 100 ... 2500 rpm
Speed setting accuracy	10 rpm
Stirring bar length max.	30 mm
Self-heating of the plate by max. stirring (RT: 22 °C / duration:1 h)	+ 2 K
Set-up plate material	Glass
Set-up plate dimensions	Ø 135 mm
Dimensions (W x D x H)	152 x 164 x 30 mm
Weight	500 g
Permissible ambient temperature	+5 ... +40 °C
Permissible relative humidity	80 %
Protection class according to DIN EN 60529	IP 54
Power supply	
Input	100 ... 240 VAC 0.3 A 50 / 60 Hz
Output	12 VDC / 0.5 A 6 W.LPS (limited power source)
Protection class	II (double insulated)



designed for scientists

IKA-Werke GmbH & Co. KG

Janke & Kunkel-Straße 10, 79219 Staufen, Germany
Phone: +49 7633 831-0, Fax: +49 7633 831-98
eMail: sales@ika.de

USA

IKA Works, Inc.
Phone: +1 910 452-7059
eMail: sales@ika.net

KOREA

IKA Korea Ltd.
Phone: +82 2 2136 6800
eMail: info@ika.kr

BRAZIL

IKA Brasil
Phone: +55 19 3772 9600
eMail: sales@ika.net.br

MALAYSIA

IKA Works (Asia) Sdn Bhd
Phone: +60 3 6099-5666
eMail: sales.lab@ika.my

CHINA

IKA Works Guangzhou
Phone: +86 20 8222 6771
eMail: info@ika.cn

POLAND

IKA Poland Sp. z o.o.
Phone: +48 22 201 99 79
eMail: sales.poland@ika.com

JAPAN

IKA Japan K.K.
Phone: +81 6 6730 6781
eMail: info_japan@ika.ne.jp

INDIA

IKA India Private Limited
Phone: +91 80 26253 900
eMail: info@ika.in

ENGLAND

IKA England LTD.
Phone: +44 1865 986 162
eMail: sales.english@ika.com

Discover and order the fascinating products of IKA online:
www.ika.com



Technical specifications may be changed without prior notice.