

## 2 TECHNICAL DATA

### 2.1 Operating and storage conditions

Table 1 - General data

General items	Reference data
Ambient temperature range (operation)	+10 °C to +40 °C
Ambient temperature range (storage)	-30 °C to +70 °C

### 2.2 Performance

Table 2 - Performance data

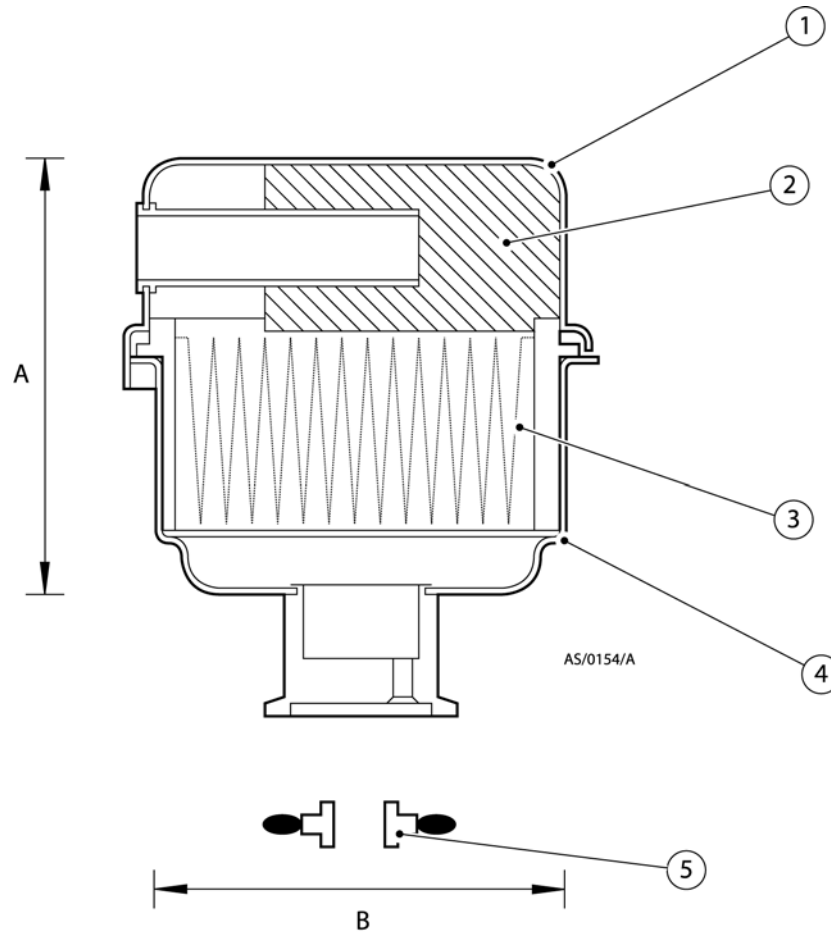
Performance items	Reference data
Rated flow	XDS5/10 - A505-97-000 - 11m <sup>3</sup> h <sup>-1</sup> XDS35i - A505-97-001 - 60m <sup>3</sup> h <sup>-1</sup>
Maximum back pressure	0.2 bar gauge
Tip seal dust	Pump performance and silencer performance unaffected providing elements serviced in accordance with recommendations.

### 2.3 Mechanical data

Table 3 - Mechanical data

Mechanical items	Reference data
Dimensions	Refer to Figure 1
Mass complete	XDS5/10 - A505-97-000 - 265 g XDS35i - A505-97-001 - 500 g
Flange size	NW25

Figure 1 - Silencer Dimensions (mm)



1. Top casing
2. Foam block
3. Polyester element
4. Bottom casing
5. Centring ring

Silencer	Dimension A	Dimension B
XDS5/10 From kit A505-97-000	94 mm	81 mm
XDS35i From kit A505-97-001	100 mm	100 mm