



**Product Data Sheet**

23 Cu. Ft. BOD Refrigerated Incubator

**CPBOD231WSW/0**

**Images**



**Product Description**

Elevate your research with Corepoint Scientific's BOD Refrigerated Incubator—a powerful innovation in the incubation industry. Enhanced with a variable-speed compressor, this unit seamlessly delivers precise temperature control and optimizes energy use. Its spacious interior accommodates a variety of sample types, making it the perfect companion for diverse research endeavors. Whether you're delving into environmental studies, microbiology research, or exploring the realms of pharmaceuticals and biotechnology, our BOD Refrigerated Incubator stands out as an exceptional choice. Conduct BOD tests with the confidence that comes from a user-friendly interface, durability, and testing compliance. Embrace innovation and energy efficiency with these next-generation units.

**Certifications**



**General Description and Application**

Storage capacity (cu. ft)	23 Cu. Ft.
Door	One Swing Solid Door
Shelves	5
Freezer Compartments	0
Baskets	0
Mounting	4 swivel casters, front casters locking
Interior lighting	Shielded, switched LED lighting
Airflow management	Convection Fan
External probe access	Rear wall port (3/4") dia.
Insulation	Cabinet is foamed-in-place with EPA compliant high density urethane foam
Exterior materials	White powder coated steel
Access Control	Keyed door lock
General warranty	One (1) year parts and labor warranty, excluding calibrations
Compressor Parts Warranty	Five (5) year compressor parts warranty
Warranty Disclaimer	Non-applicable
Product Weight (lbs)	340
Shipping Weight (lbs)	370
Rated Amperage	3.5 Amps
Power Plug/Power Cord	NEMA 5-15P Plug, 8ft nominal cord
Facility Electrical Requirement	115VAC/60Hz/1PH
Agency Listing and Certification	ETL/CETL Listed

**Refrigeration System**

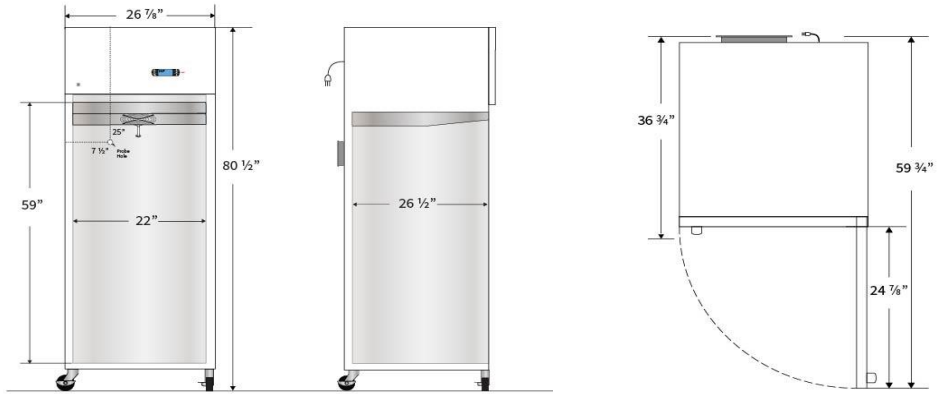
Refrigerant	R600a
Defrost	May be required at low temperatures

**Controller, Configuration, Alarms and Monitoring**

Controller technology	Proportional Integral Derivative (PID) microprocessor w/ LCD display
Display technology	NTC Probe
Adjustable Temperature Range	-10°C to 50°C
External alarm connection	State switching remote alarm contacts
Alarms	Audible and visual indicators, power failure, temperature failure, high/low temperature, door ajar
Controller probe	NTC probe in 20ml ballast
Digital Communication	0
Data Transfer	0
Disclaimers	Indoor use only, +18°C to +26°C (+65°F to +78°F), <70% RH

**Dimensions**

	Width (in.)	Depth (in.)	Height (in.)	Door Swing (in.)	Total open Depth (in.)
Exterior	26 7/8"	36 3/4"	80 1/2"	24 7/8"	59 3/4"
Interior	22"	26 1/2"	59"		



**Contact**

Customer Service  
 Technical Service

800-648-4041 Option 3  
 800-648-4041 Option 5, Parts Option 4

[customerservice@horizonscientific.com](mailto:customerservice@horizonscientific.com)  
[technicalservice@horizonscientific.com](mailto:technicalservice@horizonscientific.com)

Rev. 11202023