

ARCTIKO INT ULUF 125

true cooling specialists



ULTRA LOW TEMPERATURE UNDERCOUNTER I

The ULUF 125 will add a new dimension to your laboratory. The compact space-saving design and low noise level makes it a perfect storage solution for your laboratory.

► COOLING TECHNOLOGY

The small size is achieved by utilizing Arctico's special single compressor technology.

The single compressor technology is specially designed to reduce the number of mechanical components that generates unnecessary heat and noise.

It comes with the same advantages as regular sized -86°C from Arctiko and is best in class in cooling performance.

► FILTERLESS CONSTRUCTION

Our filter less construction makes cleaning unnecessary. The evaporator coils are spaced so far apart that dust will not be trapped and obstruct the airflow.

With our unique construction, the dust intake is minimal, which eliminates the need for filters entirely, saving you maintenance time and cost.

► CUSTOMIZED SOLUTIONS

Even in this size Arctiko can provide a wide range of accessories for customization of the unit, though it is not required to function.

With an optional CO₂ back-up system will keep your samples cold as long as there is CO₂ available in the system – eliminating the dangers of an unstable power grid or simply bad weather.



ULUF 125*



SINGLE COMPRESSOR SYSTEM



DIRECT COOLING



FILTERLESS CONSTRUCTION



The user friendly G214 controller standard for the ULUF 125. It includes different alarms as; visual, acoustic, open door and more.



Insulated inner door for better recovery time after door openings and optimal temperature stability.

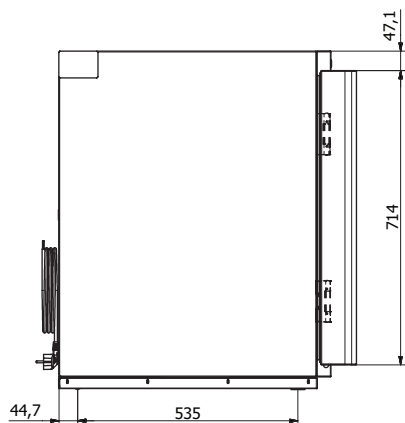
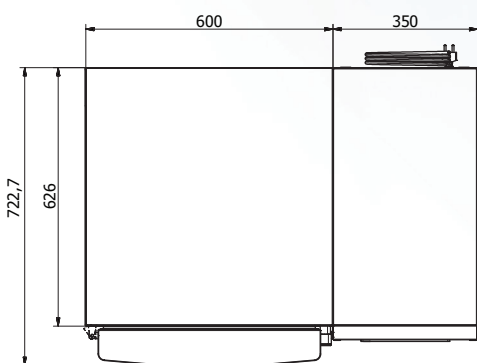
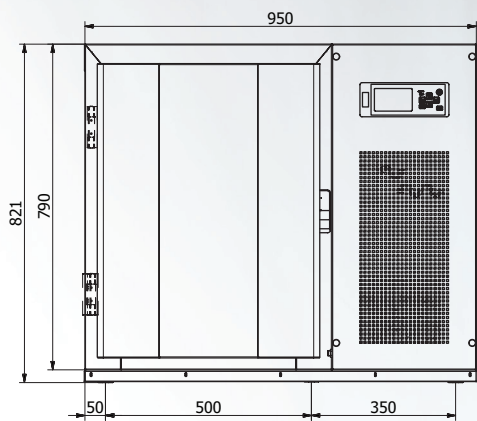


Key lock is a standard feature in our ULUF 125. Placed on side of door for optimal security for your samples.

ARCTIKO INT ULUF 125

true cooling specialists

MAIN DIMENSIONS



The ARCTIKO ULUF 125 model supports following optional features:

- Modbus adaptor for G214 controller
- Temperature chart recorder
- CO₂ back-up system
- GSM alarm module
- Voltage converter
- Voltage stabilizer
- Boxes
- Cryo gloves

OPTIONAL FEATURES

CERTIFICATES



| MODEL | ULUF 125 | |
|--|---|-------------------------|
| Main specifications | Item code | US-DA1 1417 |
| | Temperature range (°C) | -40 / -86 |
| | Temperature range (°F) | -40 / -123 |
| | Max. ambient temperature (°C) | 25 |
| | Max. ambient temperature (°F) | 77 |
| | Capacity (L) | 94 |
| | Capacity (cu. ft.) | 3.3 |
| | Exterior dimensions WxDxH (mm) | 950x725x821 |
| | Exterior dimensions WxDxH (inches) | 37.40x28.54x32.32 |
| | Interior dimensions WxDxH (mm) | 360x493x530 |
| | Interior dimensions WxDxH (inches) | 14.17x19.41x20.87 |
| | Weight (kg) | 111 |
| | Weight (lbs) | 245 |
| | Insulation (mm) | 120 |
| Insulation (inches) | 4.7 | |
| Cooling technology | single system / static | |
| Controller model / probe type | G214 / PT1000 | |
| Power | Power supply (V) | 110 |
| | Frequency (Hz) | 60 |
| | Power consumption (kWh/24h) | 8,9 |
| | AMP (A) | 3,3 |
| | Power (Watt) | 515 |
| | Horse power (HP) | 5/8 |
| Alarm functions | Alarm display as text - not codes | yes |
| | Visual / acoustic alarm | yes / yes |
| | Power failure alarm | yes |
| | Adjustable high / low temperature alarm | yes / yes |
| | Open door alarm | yes |
| | Probe failure alarm | yes |
| | Low battery alarm | yes |
| Compressor failure alarm | no | |
| Battery backup for alarms (approx. hrs.) | 72 | |
| Data logging & external connection | Voltage free contact for remote alarm (e.g. GSM alarm module) | yes |
| | Electronic data logger | yes |
| | RS 485 port | yes |
| | USB port for software update & data download | yes |
| Temperature chart recorder | optional | |
| Display features | Display type | 4,3" with touch buttons |
| | Number of optional reference probes | 2 |
| | Password protection for turning unit on / off | yes |
| | Temperature graph on display | yes |
| Other features | Automatic defrost | no |
| | Vacuum release port | no |
| | Access port for external probe etc. (int. diameter mm) | no |
| | Access port for external probe etc. (int. diameter inches) | no |
| | Light | no |
| | Lock with key | yes |
| | Castors (total pcs) / castors with brake (pcs) | 2 rollers / 0 |
| | Fixed feet (pcs) / levelling feet (pcs) | 0 / 2 |
| | Sub lids / inner doors (pcs) | 2 |
| | Reversible door(s) | no |
| | Fixed shelves (pcs) / adjustable shelves (pcs) | 1 / 0 |
| | Max. load per shelf (kg) | 25 |
| Max. load per shelf (lbs) | 55 | |
| Total capacity of 50 mm / 2 inch boxes (pcs) | 48 | |
| Total capacity of 75 mm / 3 inch boxes (pcs) | 36 | |
| Total capacity of 96 mm / 3,8 inch boxes (pcs) | 32 | |
| Refrigeration & cabinet | Number of compressors | 1 |
| | Refrigerant | EP88 |
| | Interior cabinet material | stainless steel |
| | Exterior cabinet material | electrogalvanized steel |
| | Colour (exterior cabinet) | white |
| | Foam type | polyurethane |
| VIP vacuum insulated panels | no | |
| Shipping | Shipping weight (kg) | 142 |
| | Shipping weight (lbs) | 313 |
| | Shipping dimensions WxDxH (cm) | 103x81x103 |
| | Shipping dimensions WxDxH (inches) | 40,6x31,9x40,6 |
| | Shipping volume (m ³) | 0,86 |
| Shipping volume (cu. ft.) | 30,37 | |